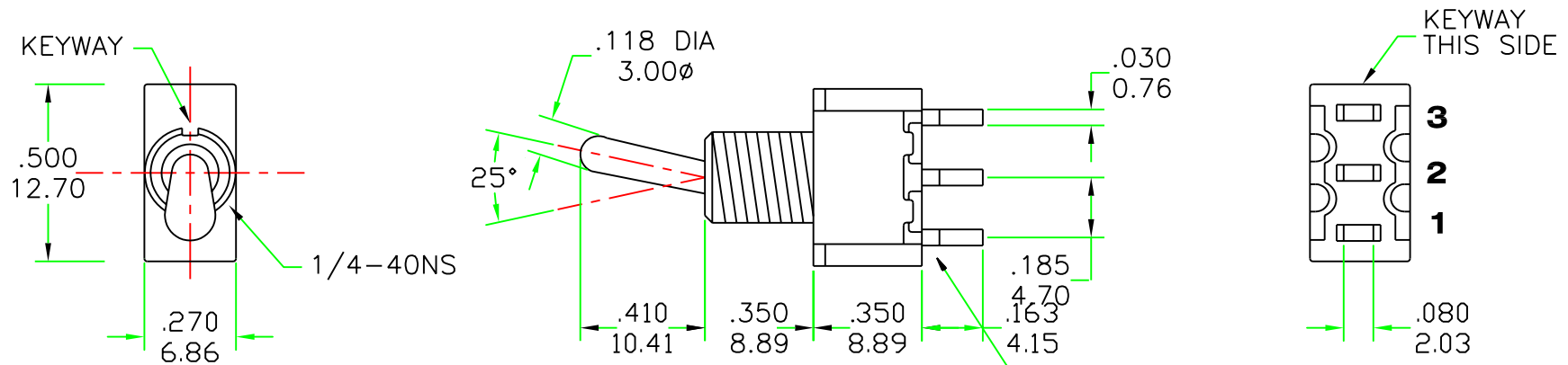
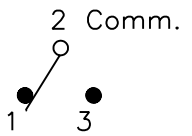
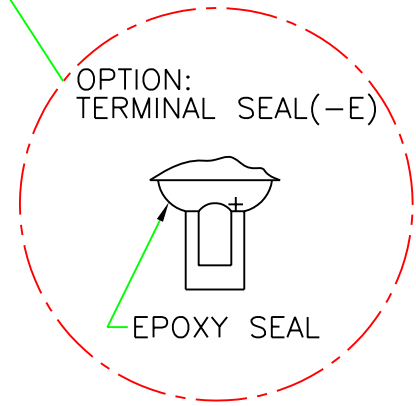
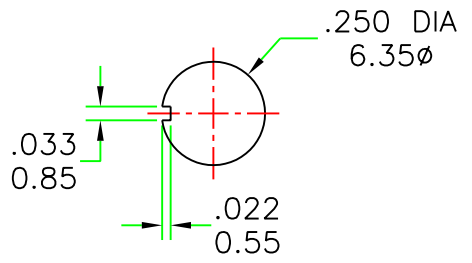


T8013-SEB DIMENSIONS



PANEL MOUNTING
1/4 IN. BUSHING



model no.	switching position		
T8013	on	none	on
T8013A	on	none	(on)
T8014	on	off	on
T8014A	(on)	off	(on)
T8014B	on	off	(on)
term comm.	2-3	open	2-1

Schematic

range	tolerance
0-1	±0.10
1-4	±0.20
4-16	±0.30

part no. T8013-SEB
dwg no. SWT8013-001
part name. T80-T/SPDT Miniature Toggle Switches

SH 興瀚企業股份有限公司
Salecom. Electronics Co.,Ltd

material	check	drawer	Jessica
scale 2:1		date	2006/10/18
unit m/m (inch)	rev. 1		