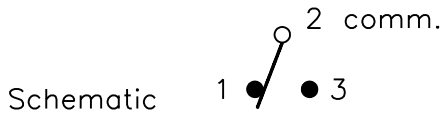
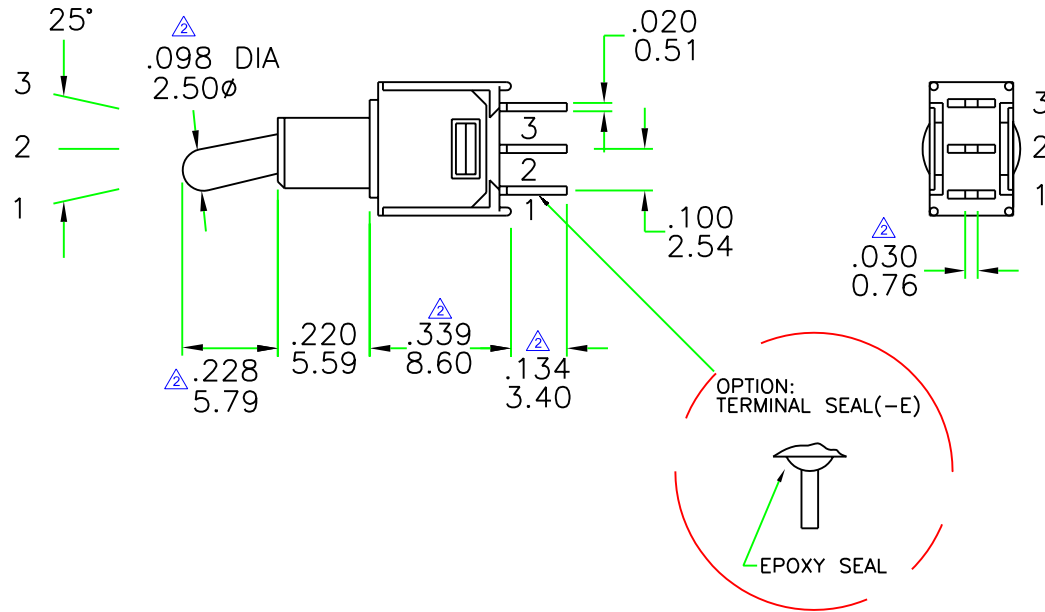
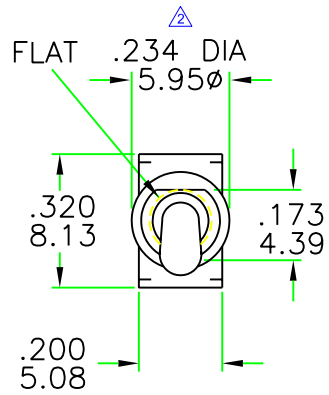
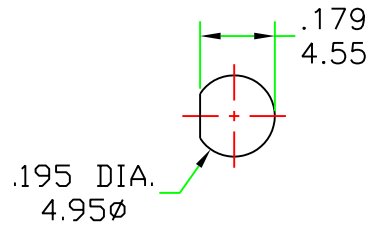


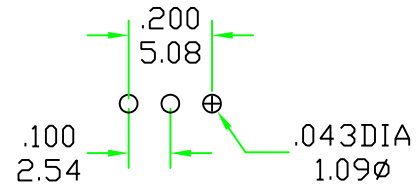
TS-4-TE1C DIMENSIONS



PANEL MOUNTING



P.C. MOUNT DIAGRAM



Model No.	Switching Position		
TS-4	ON	NONE	ON
TS-4A	ON	OFF	ON
TS-4B	ON	NONE	(ON)
TS-4H	(ON)	OFF	(ON)
TS-4I	ON	OFF	(ON)
Term. Comm.	2-3	OPEN	2-1

2	2	修正錯誤尺寸		07.11.09	General Tolerance		Part no. TS-4-TE1C	SH 興瀚企業股份有限公司 SALECOM. ELECTRONICS CO., LTD.	Approved	
					Range	Tolerance				
1	1			06.01.03	0 ~ 1	±0.10	Dwg no. SWTS-4-002		Checked	
					1 ~ 4	±0.20	Part Name.			
	0	NEW		02.01.11	1 ~ 4	±0.20	TS40-T/SPDT Sub-miniature Toggle Switches	Scale 2:1		Drawer Jessica
Zone	Rev.	Description	Reviser	Date	4 ~ 16	±0.30		Unit m/m (inch)	Rev. 2	Date