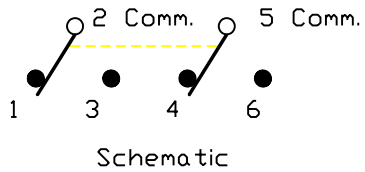
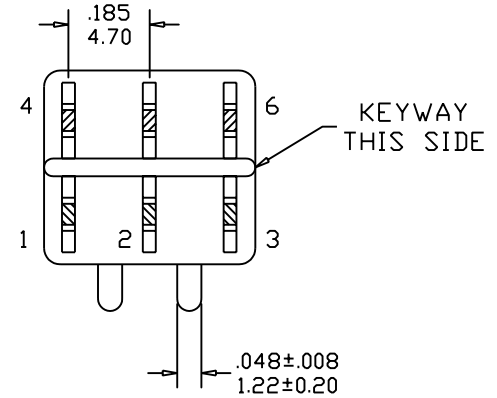
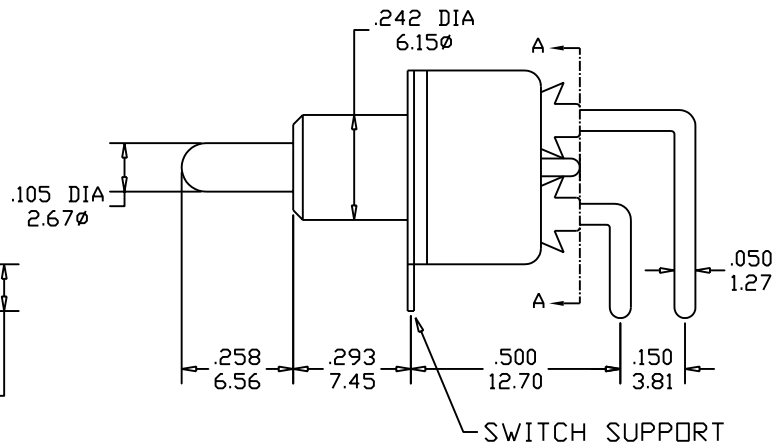
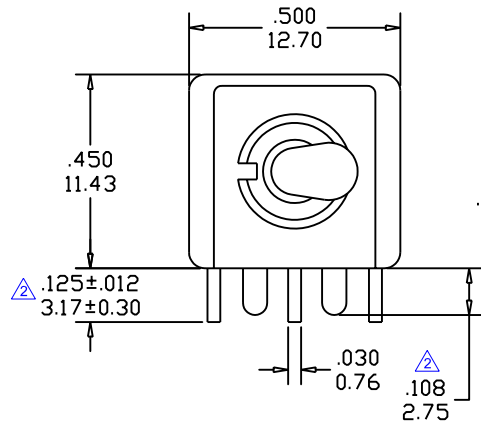
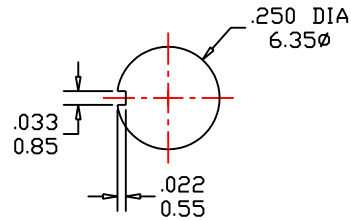


T8021-TN DIMENSIONS

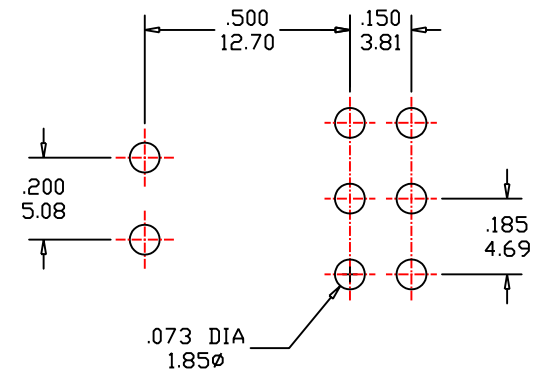


PANEL MOUNTING

1/4 IN. BUSHING



P.C.B Mounting Dimension



Model No.	Switching Position		
T8021	ON	NONE	ON
T8021A	ON	NONE	(ON)
T8022	ON	OFF	ON
T8022A	(ON)	OFF	(ON)
T8022B	ON	OFF	(ON)
Term. Comm.	2-3,5-6	OPEN	2-1,5-4

2	2	統一支架長度及本體至端子末端長度		07.01.11	General Tolerance		Part no. T8021-TN	SH 興瀚企業股份有限公司	Approved			
					Range	Tolerance				Dwg no. SWT8021-002	Checked	
1	1			06.10.27	0 ~ 1	±0.10	Part Name.	Scale 2:1				Drawer
					1 ~ 4	±0.20				T80-T/ DPDT P.C. MOUNTED TOGGLE SWITCHES	Unit m/m (inch)	
0	0	NEW		00.05.11	4 ~ 16	±0.30						
Zone	Rev.	Description	Reviser	Date								

SH 興瀚企業股份有限公司
SALECOM. ELECTRONICS CO., LTD.