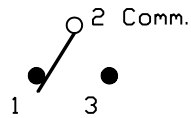
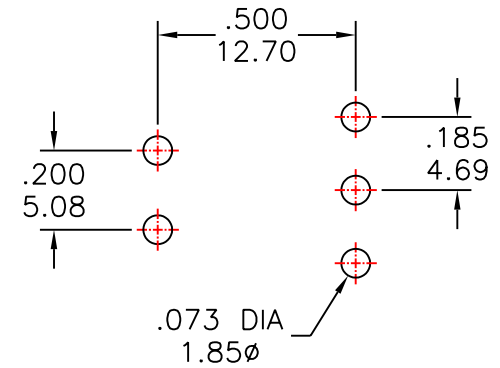
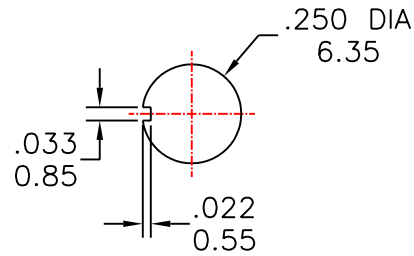
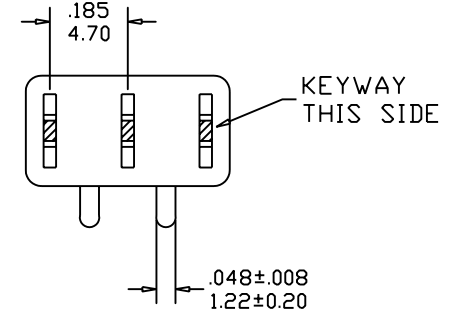
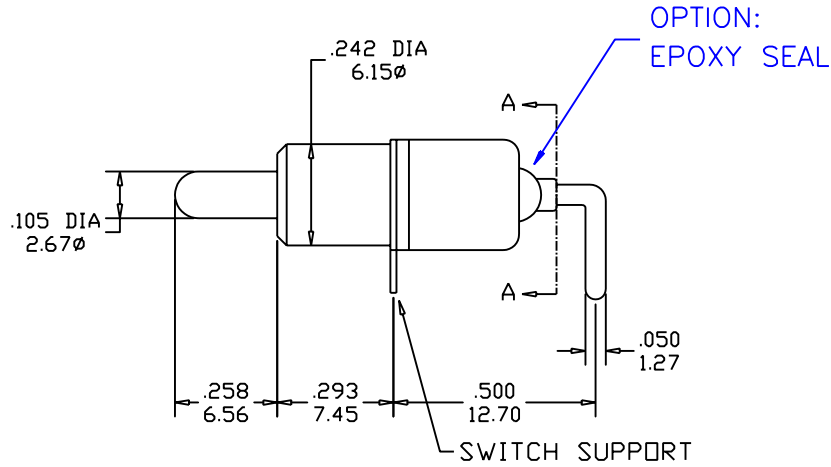
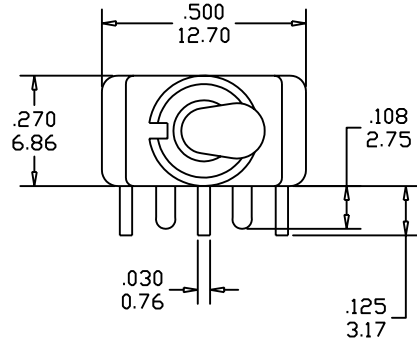


T8019-TN DIMENSIONS



Schematic

Model No.	Switching Position			NOMINAL TOLERANCE		PART NO.	T8019-TN	SH 興瀚企業股份有限公司 SALECOM. ELECTRONICS CO.,LTD	MATERIAL
				Range	Tolerance				
8019	ON	NONE	ON	0 ~ 1	±0.10	PART NAME T80-T/SPDT P.C. Mounted Toggle Switches	SCALE 2:1		DRAWER Jessica
8019A	ON	NONE	<ON>						
8020	ON	OFF	ON						
8020A	<ON>	OFF	<ON>						
8020B	ON	OFF	<ON>	1 ~ 4	±0.20	UNIT m/m (inch)	REV. 1	DATE	2006/10/27
Term. Comm.	2-3	OPEN	2-1	4 ~ 16	±0.30				