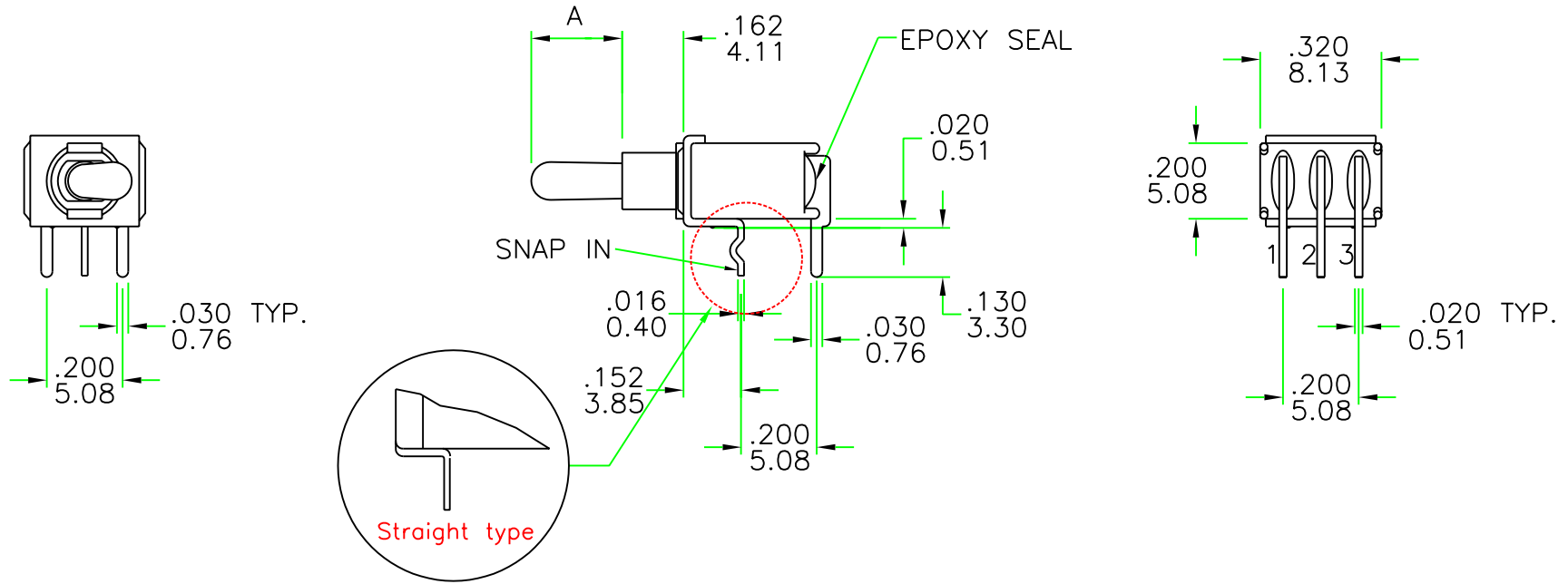
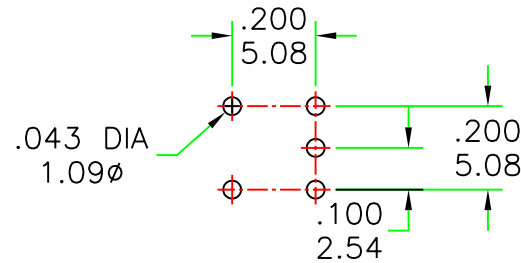
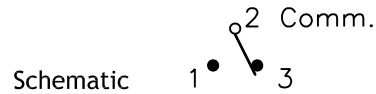


ES-6-T2 / ES-6-P2 DIMENSIONS



Model No.	Switching Position		
ES-6	ON	NONE	ON
ES-6A	ON	OFF	ON
ES-6B	ON	NONE	(ON)
ES-6H	(ON)	OFF	(ON)
ES-6I	ON	OFF	(ON)
Term. Comm.	2-3	OPEN	2-1



ACTUATOR OPTIONS	
CODE	A (inch/mm)
T2	.238/6.05
P2	.238/6.05

P2  
Material Nylon 4/6 (UL 94V-0),  
black std. Static resistance:  
9,000V DC min. @sea level ,  
actuator to terminals

Zone	Rev.	Description	Reviser	Date	General Tolerance		Part no. ES-6-*2	興瀚企業股份有限公司 SALECOM. ELECTRONICS CO., LTD.	Approved	
					Range	Tolerance				Dwg no. SWES-6-001
					0 ~ 1	±0.10				
					1 ~ 4	±0.20				
4 ~ 16	±0.30	Part Name.	Scale 2:1	Drawer Jessica						
ES40-T/SPDT Sub-miniature Toggle Switches	Unit m/m (inch)	Rev. 4	Date	2014.03.17						