

KEY switch



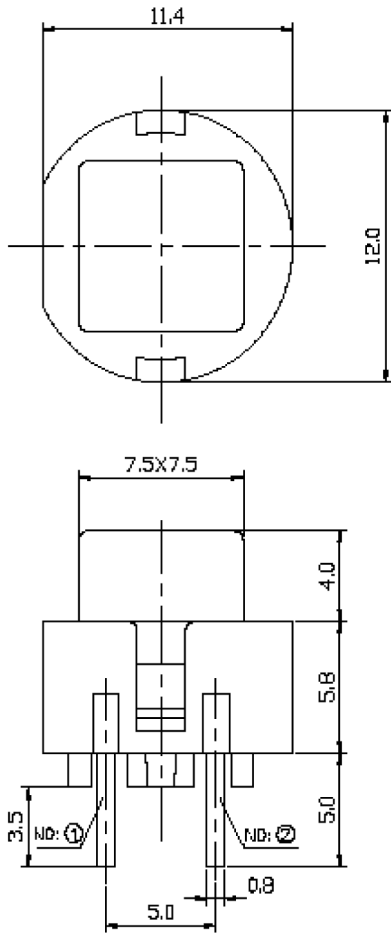
Characteristics

- Single pole, momentary
- Short stroke of 0.8mm
- Light touch feeling
- Long electronic life cycles
- With standard plunger size 3.3 x 3.3 mm
- Various plunger height available
- Several colors and shapes available

Electrical Data		
Electrical Ratings	0.01A/35V DC	
Operating life	500,000 cycles min.	
Dielectric strength	500V AC, 50~60Hz, for 1min between current-carrying metal part and ground, and between each terminal and non-current carrying metal part.	
Contact resistance	20 mΩ (max)	
Insulation resistance	100 MΩ (min)	
Mechanical Data		
Travel to lock distance	/	
Total travel distance	0.8mm	
Operating force	130 +/- 50g	
Cap Data		
Cap types	Key Code	Cap shape
	KEY-R	Round cap with height 12.8mm
	KEY-S	Square cap
Cap colors	Color	Pantone code
	Red	187C
	Green	355C
	Light Grey	5425C
	Dark Grey	11C
	Yellow	115C
	Black	3C 2X
	Blue	2925C
White		
Further Data		
Operating temperature	-20 ~ +65 C	
Contact arrangement	SPST NO	
Terminals	PC pins	
Function	Momentary	
Button	KEY-K	
Actuator dimensions	3.3 x 3.3 mm	
Plastic material	UL94V-0, UL94V-2, UL94HB	
Max. soldering temperature	5 second at 225	

Dimensional drawings

KEY-S



KEY-R

