

DRAWING #: AGI260-0

REV.	DATE	REVISION DESCRIPTION	DR.
A	02/26/01	ORIGINAL	L.L.
B	12/18/02	LEAD DIMENSION WAS 0.020"	A.S.

ENVIRONMENTALLY FRIENDLY MOTION SENSOR, CONTAINS NO HAZARDOUS MATERIALS.

NOTES:

1. ELECTRICAL:

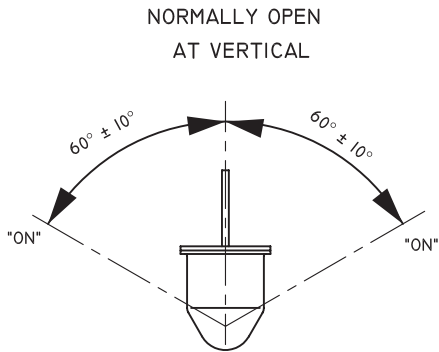
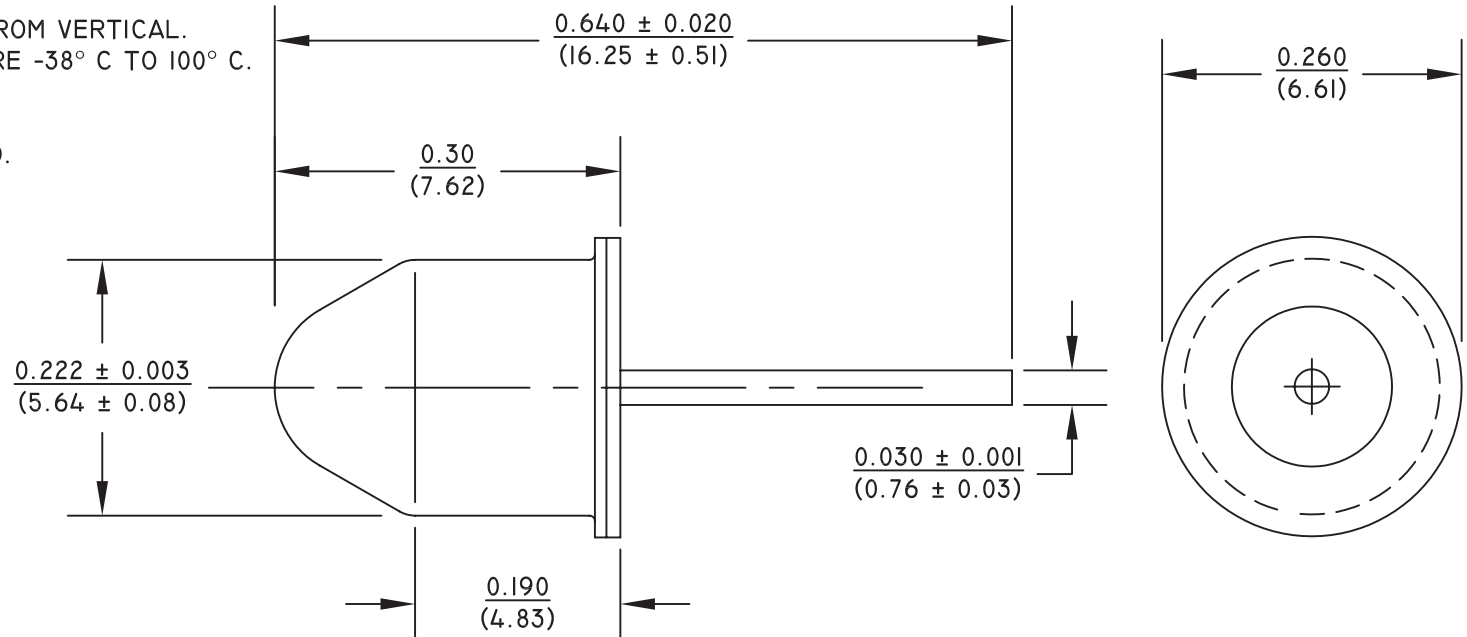
- 1.1 CONTACT CAPACITY 0.25 A MAX., 60 V MAX., 3 VA MAX..
- 1.2 CONTACT RESISTANCE 6 OHMS MAX. AT 5 V DC.

2. OPERATE:

- 2.1 MAKE ANGLE $60^\circ \pm 10^\circ$ FROM VERTICAL.
- 2.2 OPERATING TEMPERATURE -38°C TO 100°C .

3. FINISH:

- 3.1 EXTERNALLY TIN PLATED.



COMUS INTERNATIONAL			
454 ALLWOOD ROAD, CLIFTON, NEW JERSEY 07012		TEL. (973) 777-6900	
UNSPECIFIED TOLERANCES	REF.:	SCALE:	DRAWN BY:
DECIMAL: .XX ± .01 [.254]		NONE	L.L.
.XXX ± .005 [.127]	TITLE: NORMALLY OPEN TIP OVER SWITCH		
FRACTIONAL: ± 1/64 [.397]	TYPE: SALES		DATE: 02/26/2001
ANGULAR: ± 1/2°	DRAWING #:		AGI260-0

ENGINEERING		
QUALITY		
PRODUCTION		
APPROVAL	SIGNATURE	DATE