

In the following model numbers, replace • with elements selected in the above order format.

Flat actuator - short case - 48VDC - AV09100

Hex nut 22 (.866) across flats



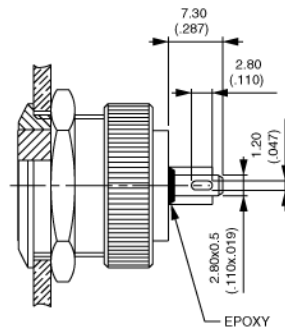
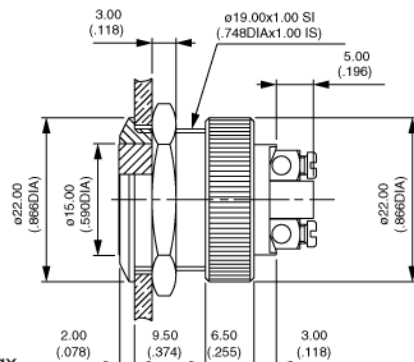
Screw terminals
AV091003•940•



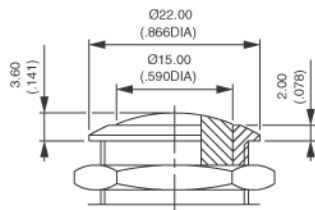
Solder lug /
quick-connect term.
AV091003•240•



Screw terminals for wires 1,5 mm² max.



Curved actuator - AV19



Screw terminals
AV19•003•940•

Solder lug/quick-connect term. (short case)

AV191003•240•