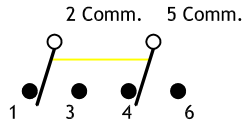
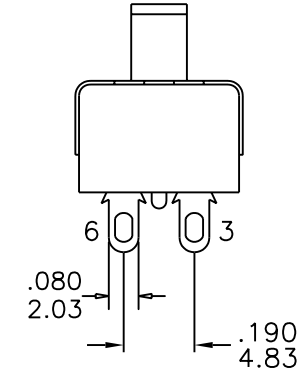
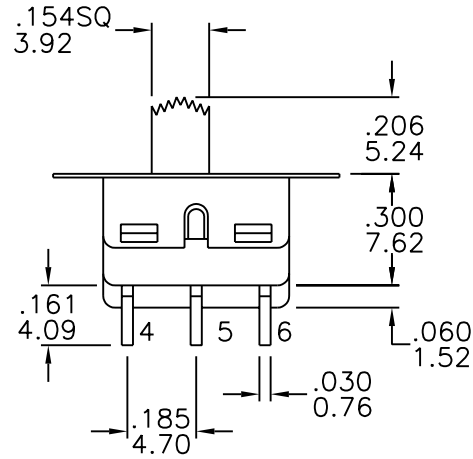
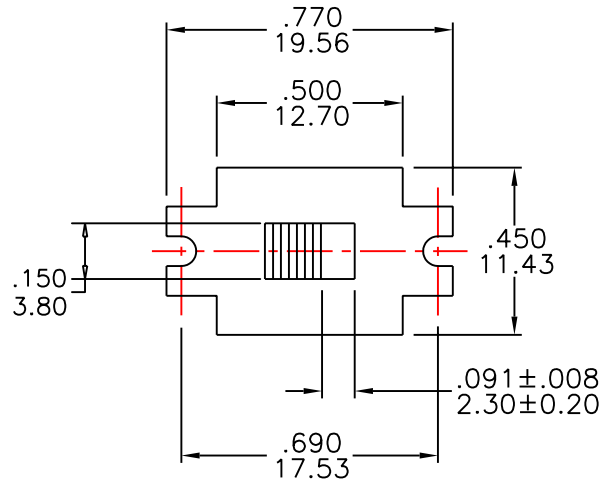
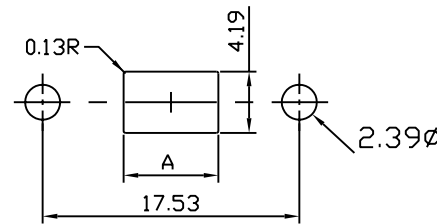


# TS-11-A1-B DIMENSIONS


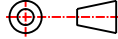


## Panel Mounting



DIMENSION A		
MODEL	TS-11	6.48
	TS-12	7.48

Model No.	Switching Position		
	TS-11	ON	NONE
TS-12	ON	OFF	ON
Term. Comm.	2-1,5-4	OPEN	2-3,5-6

Zone	3	重新確認尺寸	Reviser	Date	General Tolerance		Part no. TS-11-A1-B	 <b>興瀚企業股份有限公司</b> <b>SALECOM. ELECTRONICS CO., LTD.</b>		Approved				
	2				06.10.16	Range				Tolerance	Dwg no. SWTS-11-002	Checked		
	1				06.05.22	0 ~ 1				±0.10	Part Name.	Scale 2:1	Drawer	Jessica
					04.09.20	1 ~ 4				±0.20	T80-S/ DPDT SLIDE SWITCHES	Unit m/m (inch)	Rev. 0	Date
					4 ~ 16	±0.30								