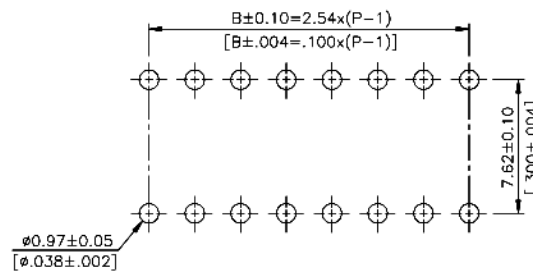
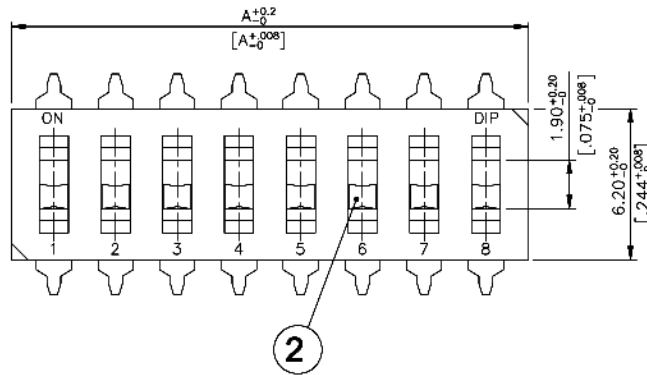


DIMENSIONS

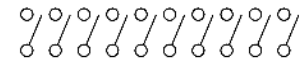
NDI(R)



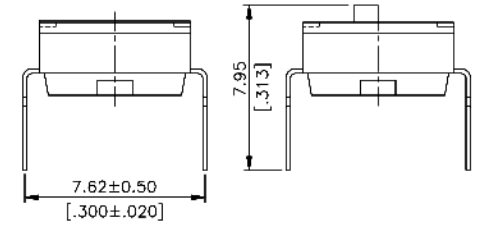
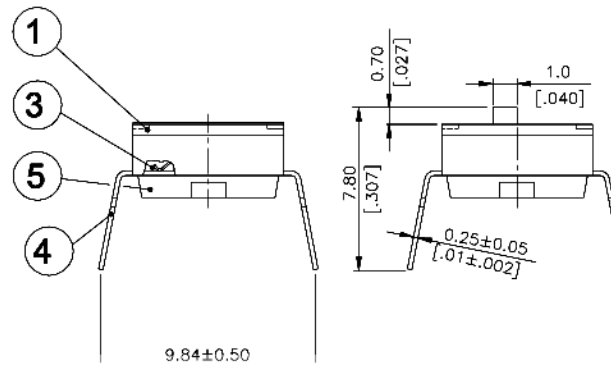
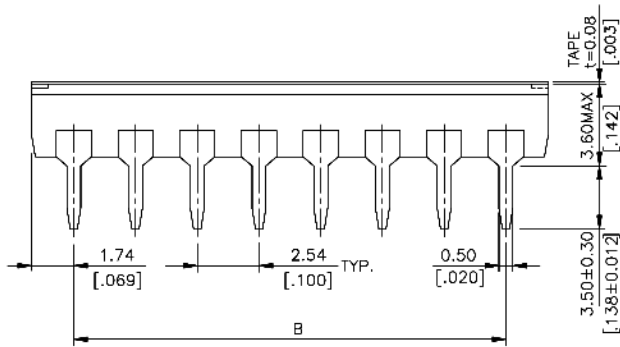
P.C.B. LAYOUT

NDI -12□(P) NDIR-12□(P)	12	31.42[1.237]	27.94[1.100]
NDI -10□(P) NDIR-10□(P)	10	26.34[1.037]	22.86[.900]
NDI -09□(P) NDIR-09□(P)	9	23.80[.937]	20.32[.800]
NDI -08□(P) NDIR-08□(P)	8	21.26[.837]	17.78[.700]
NDI -07□(P) NDIR-07□(P)	7	18.72[.737]	15.24[.600]
NDI -06□(P) NDIR-06□(P)	6	16.18[.637]	12.70[.500]
NDI -05□(P) NDIR-05□(P)	5	13.64[.537]	10.16[.400]
NDI -04□(P) NDIR-04□(P)	4	11.10[.437]	7.62[.300]
NDI -03□(P) NDIR-03□(P)	3	8.56[.337]	5.08[.200]
NDI -02□(P) NDIR-02□(P)	2	6.02[.237]	2.54[.100]
NDI -01□(P) NDIR-01□(P)	1	3.48[.137]	—
PROD. NO.	NO. OF POS.	DIM. A	DIM. B

SCHEMATIC(TYP.)



(1,2,3,4,5,6,7,8,9,10,12, POS AVAIL)



General Tolerance : ±0.2mm