

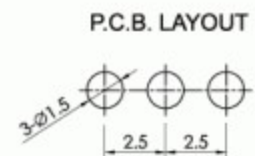
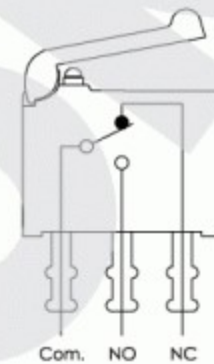
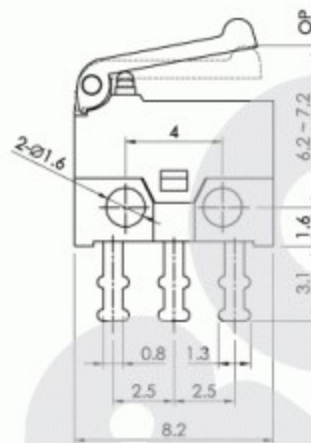
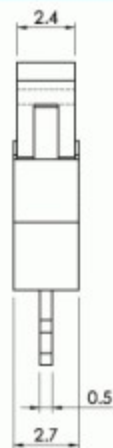
SSM Series Tiny Micro Switches

SPECIFICATION:

| | | | |
|-----------------------|---|------------------------|---|
| Rating | : 500mA 30V DC. | Contact Resistance | : 100mΩ Max.(initial) |
| Operating Position | 001 Series : 6.2 ~ 7.2mm. 002 Series : 5.6±0.15mm. 003 Series : 6.2 ~ 7.2mm. 004 Series : 6.2 ~ 7.2mm. | Operating Force | 001 Series : 50g Max. 002 Series : 120g Max. 003 Series : 50g Max. 004 Series : 50g Max. |
| Life | : 300,000 Cycles Min. | Operating Temperature | : -25°C ~ +70°C. |
| Insulation Resistance | : 100MΩ Min. at 500V DC | Ambient Humidity | : 25% ~ 85%RH. |
| Withstand Voltage | : 250V AC for 1 minute. | Malfunction Durability | : 10 ~ 55Hz 1.5mm. Each directions 2 hours. |



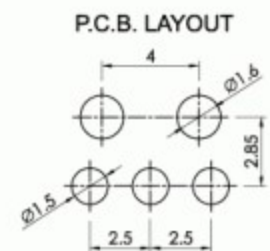
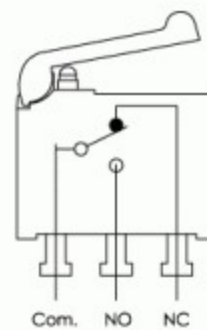
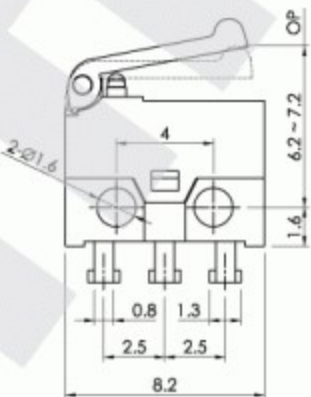
SSM-001



SSM-001L



L1 = 1.5
L2 = 3.1



SSM-001R



L1 = 1.5
L2 = 3.1

