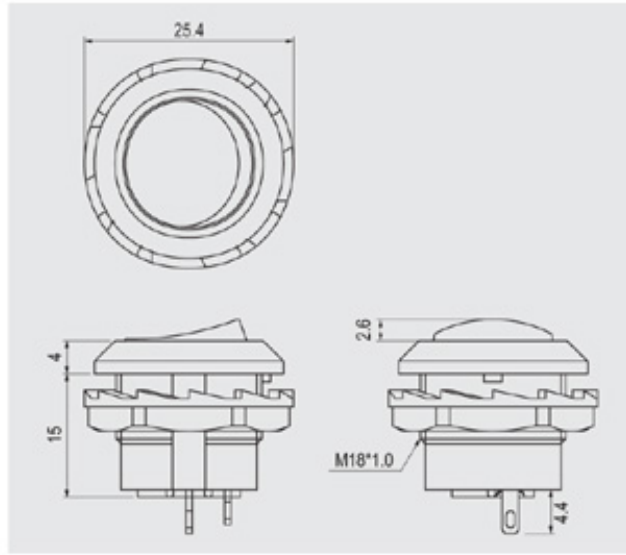


# R13-130



## Rating

10A 125V AC  
6A 250V AC

## Contact resistance

50mΩ Max

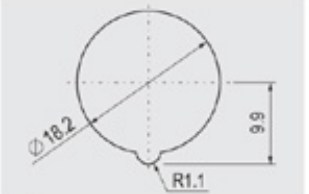
## Insulation resistance

DC 500V 100MΩ Min

## Dielectric strength

AC 1500V 1 minute

## Cut-out



± 6 mm max

## FEATURES

- \* MATERIAL: Actuators are nylon (UL flame: 94V-2). Terminals are silver plated brass.
- \* Phenolic base.

## R13-130

