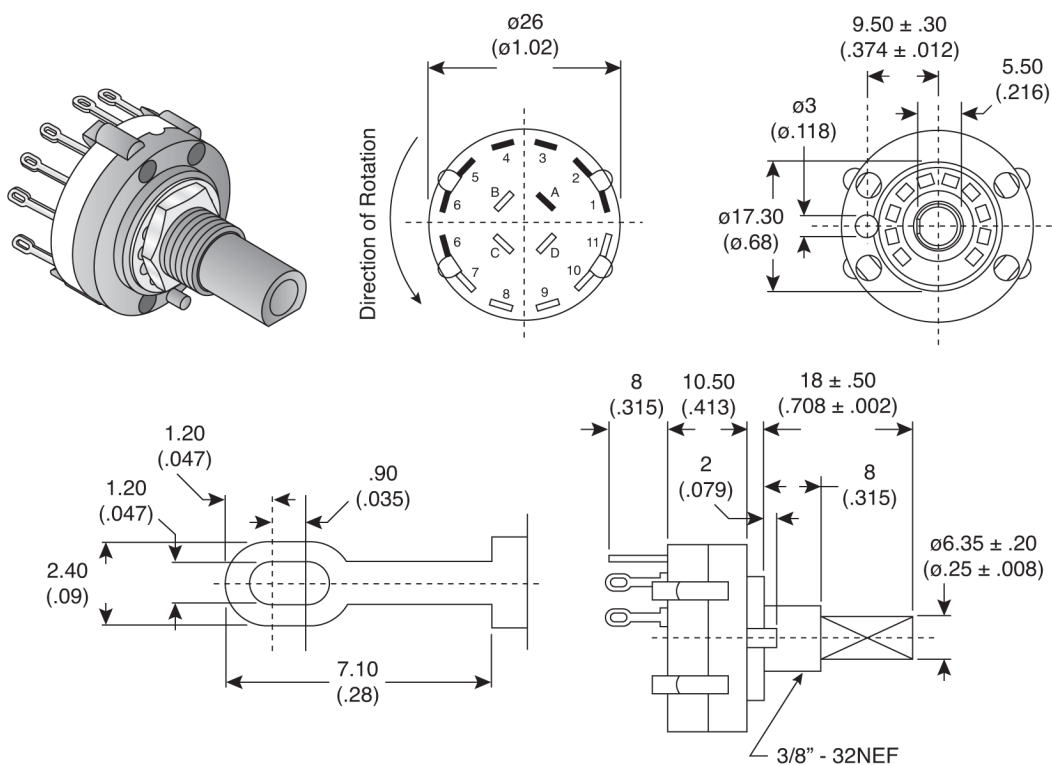




Dimensions: mm (In.)



Mechanical Specifications:

- Rotation Torque: $.5 \pm .2$ kg-cm
- Timing: Non-shorting

Electrical Specifications:

- Rating: 0.3A/125VAC
- Contact Resistance: 50m Ω Max.
- Insulation Resistance: 500VDC -100M Ω Min.
- Dielectric Strength: 500VAC -1 Minute

- 3/8" hexagon nut one piece
- Lockwasher one piece

- RoHS Compliant