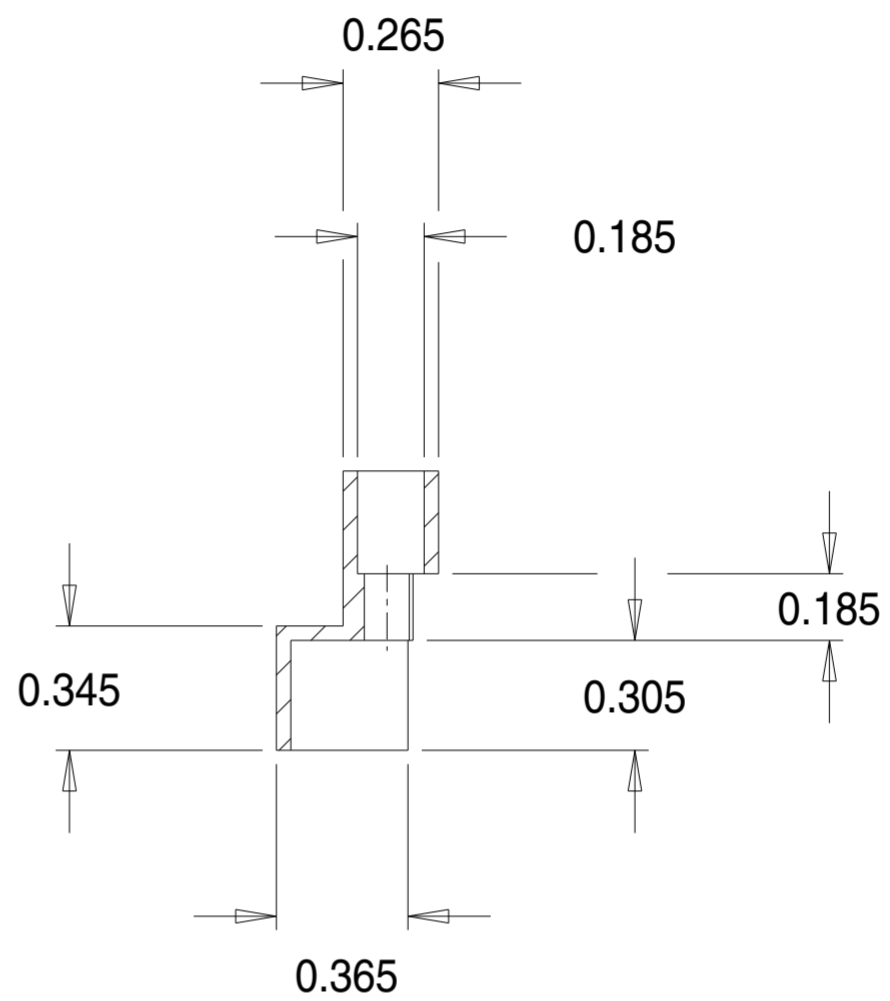
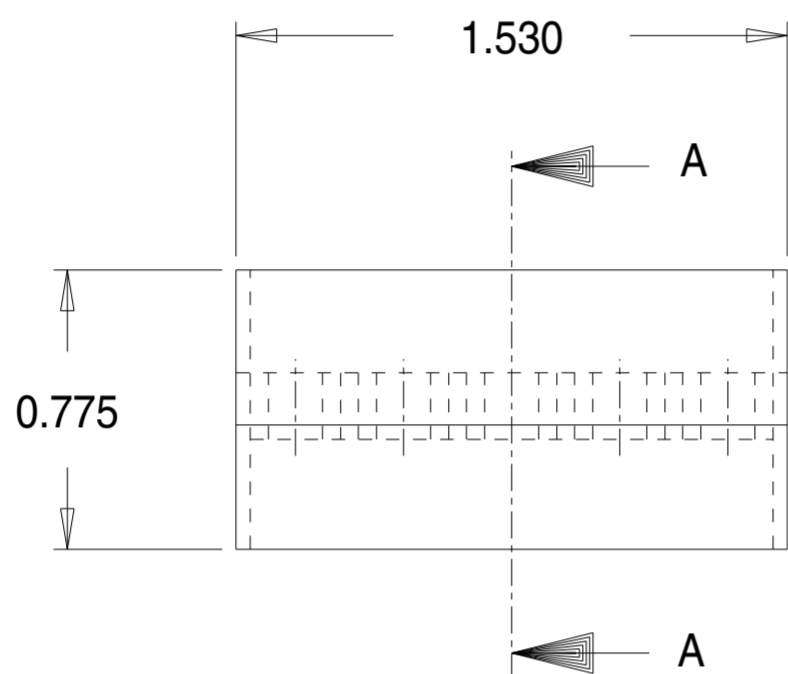
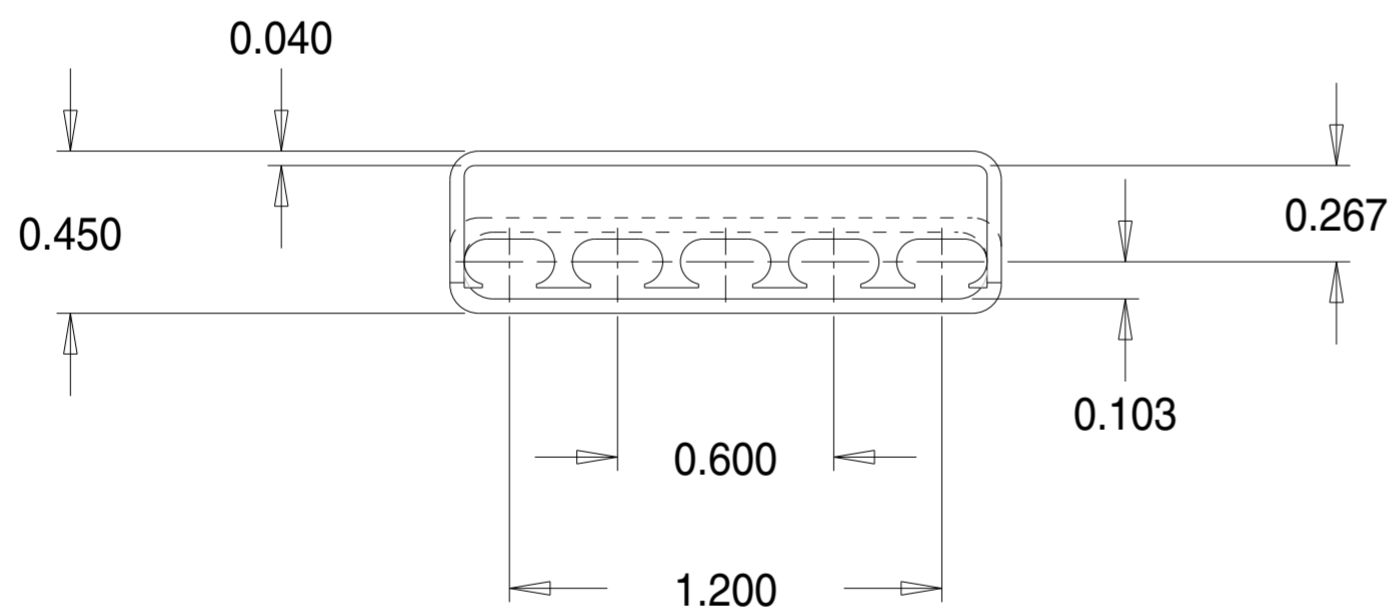


Part No. S07800

35 & 147 'S' Range Terminal Cover



SECTION A-A



Dimensions in inches.

