



Features:

- 5W Single Output - Regulated
- Output Range: 3.3V - 24VDC
- Input: 90 - 305VAC , 47 - 440Hz
- Low Standby Power <0.1W
- Height: 17.5mm
- Fully Isolated Pri - Sec 4000Vrms
- EMC Compliant without external components
- Materials: UL94-V0
- Safety: UL/IEC/EN62368-1, EN60335-1, CE,

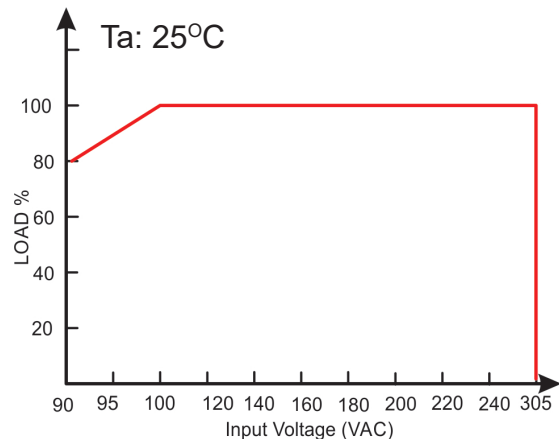
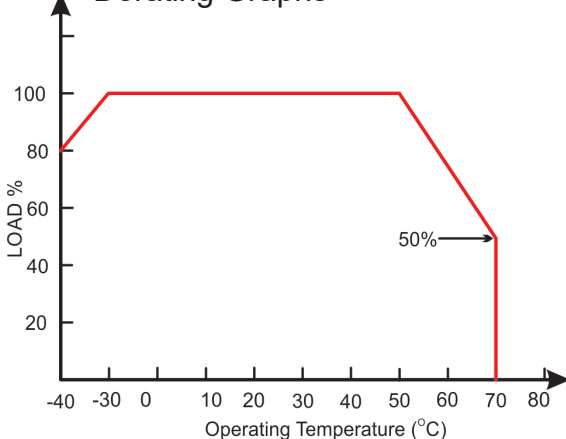
Part Number	Power Rating Watts	Output Voltage (Vdc)	Output Current (mA)	Ambient Temp. (°C)	Efficiency Typical	Input Range
VTX-214-005-303	5	3.3	1515	70	>73%	90 - 305VAC (120-430VDC)
VTX-214-005-305	5	5	1000			
VTX-214-005-307	5	7.5	666			
VTX-214-005-309	5	9	555			
VTX-214-005-312	5	12	420			
VTX-214-005-315	5	15	333			
VTX-214-005-324	5	24	210			

Note: Other output voltages are available upon request.

Maximum Capacitive Load:

- 3.3V: 3500uF
- 5V: 2500uF
- 12V: 470uF
- 15V: 220uF
- 24V: 150uF

Derating Graphs



Please contact Vigortronix for any enquiries. Products can be altered to suit custom requirements. The information contained in this document is subject to change without notice.

Vigortronix, 16 De Havilland Way, Witney, Oxfordshire, OX29 0YG, UK

Tel. +44 (0)1993 777570 Fax. +44 (0)1993 777580 Web. www.vigortronix.com E-mail: sales@vigortronix.com

Vigortronix is a trading name of Vigortronix (UK) Limited

Model: 5Watt		Specification
INPUT Pin 4: L Pin 5: N Pin 1: NC	Voltage Range	90 - 305VAC / 47 - 440Hz (120 ~ 430VDC)
	Current	150mA Max (115VAC) / 90mA Max (230VAC)
	Inrush Current	30A Max (115VAC) / 100A Max (230VAC)
	No Load power	0.1W
	Leakage Current	0.25 mA
OUTPUT Pin 2: VDC+ Pin 3: GND	Voltage Accuracy	+/- 2%
	Ripple	<200mV Max (Vp-p)
	Noise	<3% Vout Max (Vp-p)
	Efficiency	>73%
	Load Regulation	+/-1%
	Hold Up Time	15mSec Min.
	Minimum Load	0
Protection	Over Power	Hiccup mode
	Over Voltage	Zener Diode clamp
	Short Circuit Protection	Hiccup mode
Dielectric Isolation	Input to Output	4000Vrms, 2Sec Min.
Environment	Operating Temperature	-40°C - +70°C (with Derating)
	Storage Temperature	-40°C - +85°C
	MTBF	>450,000Hrs @ 25°C (MIL-HDBK-217F)
	Weight	30g
	Cooling Method	Free Air convection
Safety	Compliant Standards	UL/IEC/EN62368-1, EN60335-1 In progress
EMC	EMI	Compliance with EN55022 Class B
	EMS	Compliance with EN55035

Please contact Vigortronix for any enquiries. Products can be altered to suit custom requirements.
The information contained in this document is subject to change without notice.

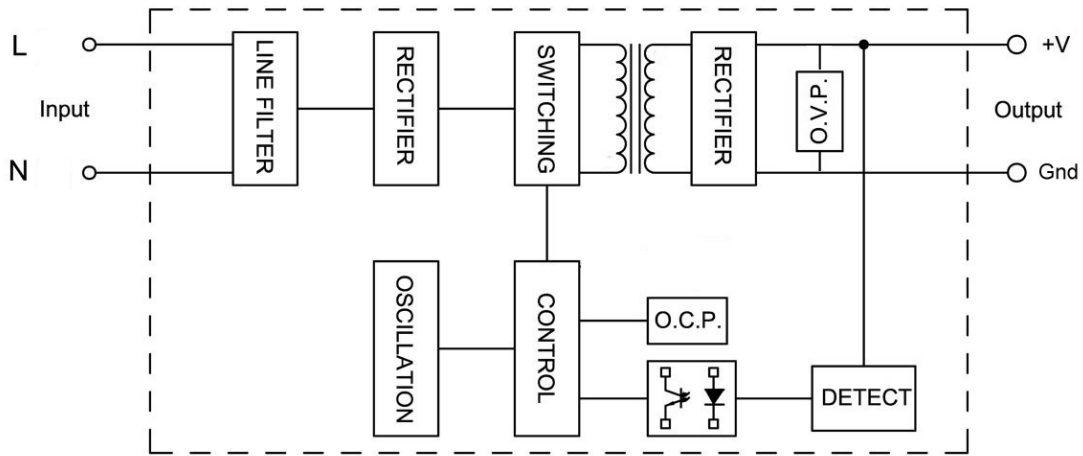
Vigortronix, 16 De Havilland Way, Witney, Oxfordshire, OX29 0YG, UK

Tel. +44 (0)1993 777570 Fax. +44 (0)1993 777580 Web. www.vigortronix.com E-mail: sales@vigortronix.com

Vigortronix is a trading name of Vigortronix (UK) Limited

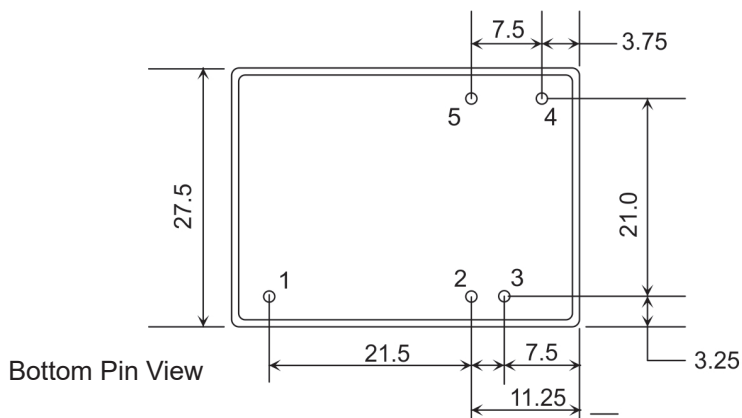
Vigortronix.com

Recommended Application Schematic for EMC



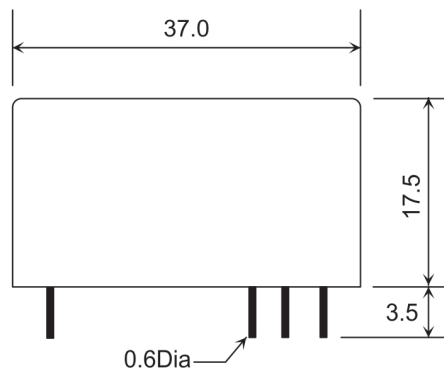
Notes:

Mechanical Layout



Pin Designation

- Pin 1: NC
- Pin 2: +V0
- Pin 3: GND
- Pin 4: AC IN (L)
- Pin 5: AC IN (N)



Recommended PCB
Hole size: 1.2mm Dia.

Unit weight: 30g

Please contact Vigortronix for any enquiries. Products can be altered to suit custom requirements.
The information contained in this document is subject to change without notice.

Vigortronix, 16 De Havilland Way, Witney, Oxfordshire, OX29 0YG, UK

Tel. +44 (0)1993 777570 Fax. +44 (0)1993 777580 Web. www.vigortronix.com E-mail: sales@vigortronix.com

Vigortronix is a trading name of Vigortronix (UK) Limited

Vigortronix.com