



Features:

- 6W Small Compact Size - PCB Mount
- Single Output - Regulated
- Output Range: 3.3V - 48VDC
- Input: 90 - 265VAC , 47 - 63Hz (100 - 370VDC)
- Low Standby Power <0.3W
- Low Ripple & Noise (Built in filter network)
- Encapsulated Design
- Fully Isolated Pri - Sec >4200Vrms
- Insulation: Class II
- Materials: UL94-V0
- Safety: EN61558, EN60950, CE, TUV

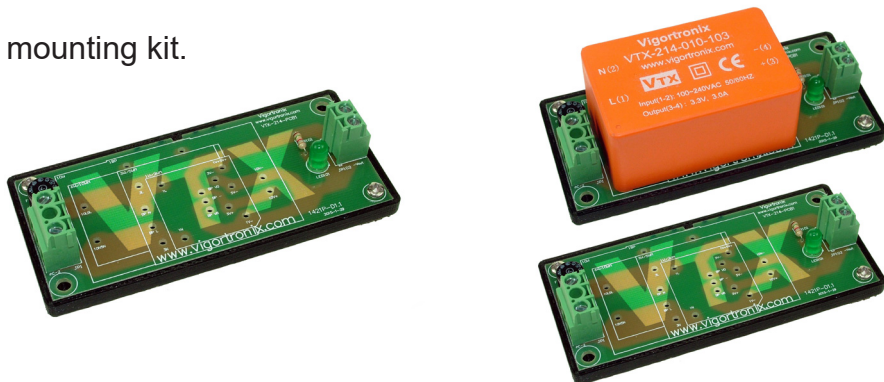
Part Number	Output Voltage (VDC)	Power Rating Watts @ 230V +/-10%	Power Rating Watts 90-265VAC	Max Output Current (mA)		Ambient Temp. (°C)
				6 Watt	5 Watt	
VTX-214-006-103	3.3	5	5	1500	1500	70
VTX-214-006-105	5	6	5	1200	1000	
VTX-214-006-106	6	6	5	1000	833	
VTX-214-006-107	7.5	6	5	800	667	
VTX-214-006-108	8	6	5	750	625	
VTX-214-006-109	9	6	5	666	555	
VTX-214-006-110	10	6	5	600	500	
VTX-214-006-112	12	6	5	500	410	
VTX-214-006-115	15	6	5	400	333	
VTX-214-006-118	18	6	5	333	270	
VTX-214-006-124	24	6	5	250	208	
VTX-214-006-148	48	6	5	125	104	

Note: Other output voltages are available upon request.

Note: Unit must be derated to 5W maximum output when input voltage is <200VAC

Optional Universal PCB mounting kit.

Part Number:
VTX-214-PCB1



Please contact Vigortronix for any enquiries. Products can be altered to suit custom requirements.
The information contained in this document is subject to change without notice.

Vigortronix, 16 De Havilland Way, Witney, Oxfordshire, OX29 0YG, UK

Tel. +44 (0)1993 777570 Fax. +44 (0)1993 777580 Web. www.vigortronix.com E-mail: sales@vigortronix.com

Vigortronix is a trading name of Vigortronix (UK) Limited

Model: 6 Watt		Specification
INPUT Pin 1: L Pin 2: N	Voltage Range	90 - 264VAC / 47 - 63Hz (100VDC - 370VDC)
	Current	150mA Max (100VAC) / 100mA Max (240VAC)
	Inrush Current	15A Max (100VAC) / 25A Max (240VAC)
	No Load power	0.3W Max
	Leakage Current	0.3 mA Max
OUTPUT Pin 3: DC+ Pin 4: DC-	Voltage Accuracy	3%
	Ripple	<50mV Max (Vp-p)
	Noise	<1% Vout Max (Vp-p)
	Efficiency	>70%
	Minimum Load	0
Protection	Over Power	Hiccup mode
	Over Voltage	Hiccup mode
	Short Circuit Protection	Hiccup mode
Dielectric Isolation	Input to Output	3600Vrms, 5mA 1 Min (4200VAC 2sec)
Environment	Operating Temperature	-25°C - +70°C (Full Load)
	Storage Temperature	-40°C - +105°C
	MTBF	>300,000Hrs @ 25°C (MIL-HDBK-217F)
	Weight	56g
	Humidity	20 - 95% RH
Safety	Agency Approval	EN60950-1, EN61558-1, EN61558-2-6, EN61558-2-17
EMC	EMI	Compliance with EN55022 Class B
	EMS	Compliance with EN55024, EN55014-1, EN55014-2, EN61000-3-2 Class A, EN61000-3-3

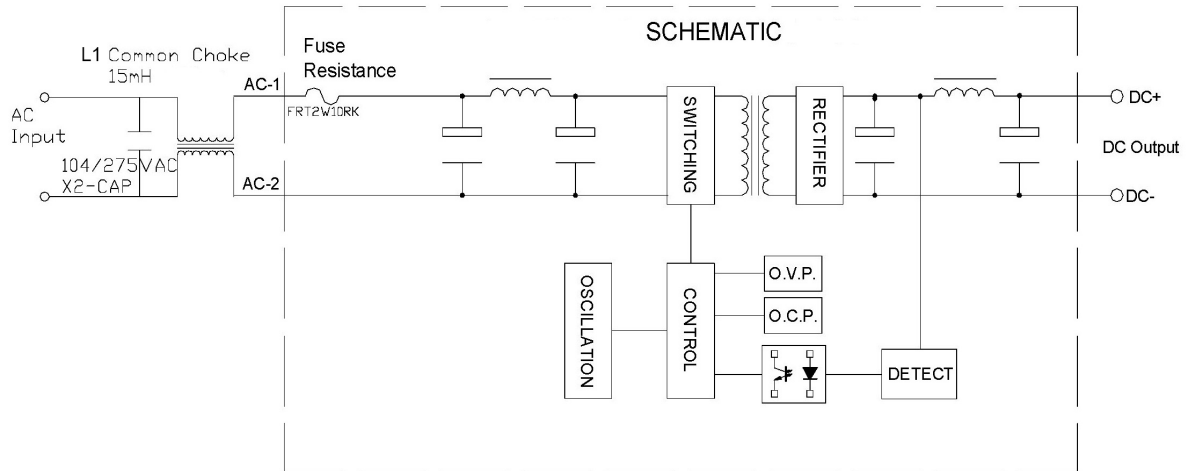
Please contact Vigortronix for any enquiries. Products can be altered to suit custom requirements.
 The information contained in this document is subject to change without notice.

Vigortronix, 16 De Havilland Way, Witney, Oxfordshire, OX29 0YG, UK

Tel. +44 (0)1993 777570 Fax. +44 (0)1993 777580 Web. www.vigortronix.com E-mail: sales@vigortronix.com

Vigortronix is a trading name of Vigortronix (UK) Limited

Recommended Application Schematic for EMC

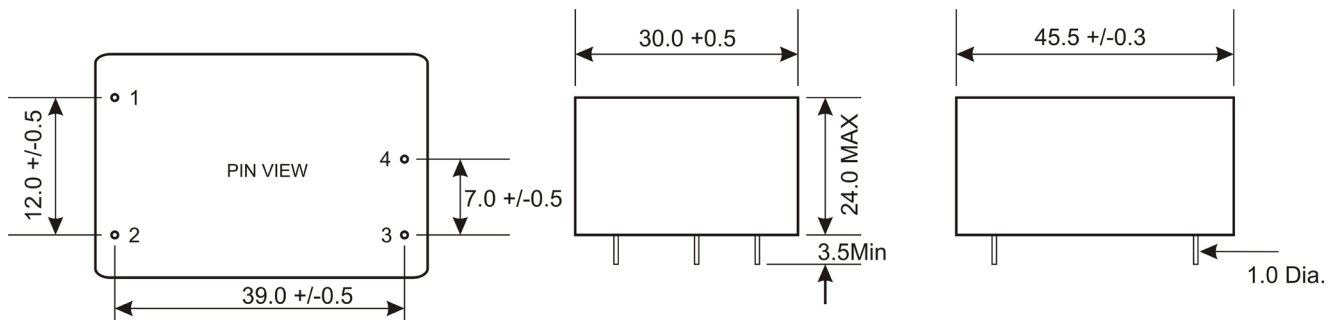
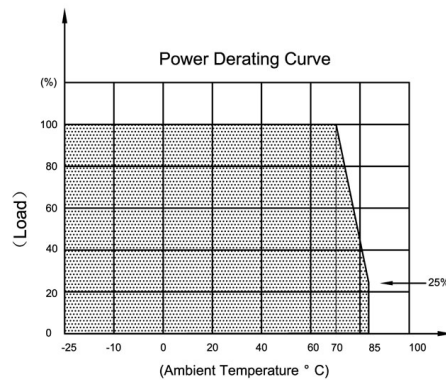


Notes:

L1 Common Mode Choke, Vigortronix Part VTX-520-0909

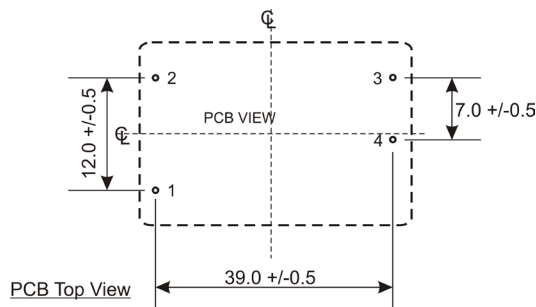
If Surge protection is required it is recommended to fit a Varistor, similar to 14D431K

Derating Graph



Unit weight: 56g

PCB Layout



Pins 1&2: AC/DC Input
Pin 3: Output DC +V
Pin 4: Output DC 0V

Recommended PCB
Hole size: 1.5mm Dia.

Please contact Vigortronix for any enquiries. Products can be altered to suit custom requirements.
The information contained in this document is subject to change without notice.

Vigortronix, 16 De Havilland Way, Witney, Oxfordshire, OX29 0YG, UK

Tel. +44 (0)1993 777570 Fax. +44 (0)1993 777580 Web. www.vigortronix.com E-mail: sales@vigortronix.com

Vigortronix is a trading name of Vigortronix (UK) Limited