

### Features

High intensity LED lamp;  
 $\phi 10\text{mm}$  round shape;  
 UV resistant epoxy for outdoor use;

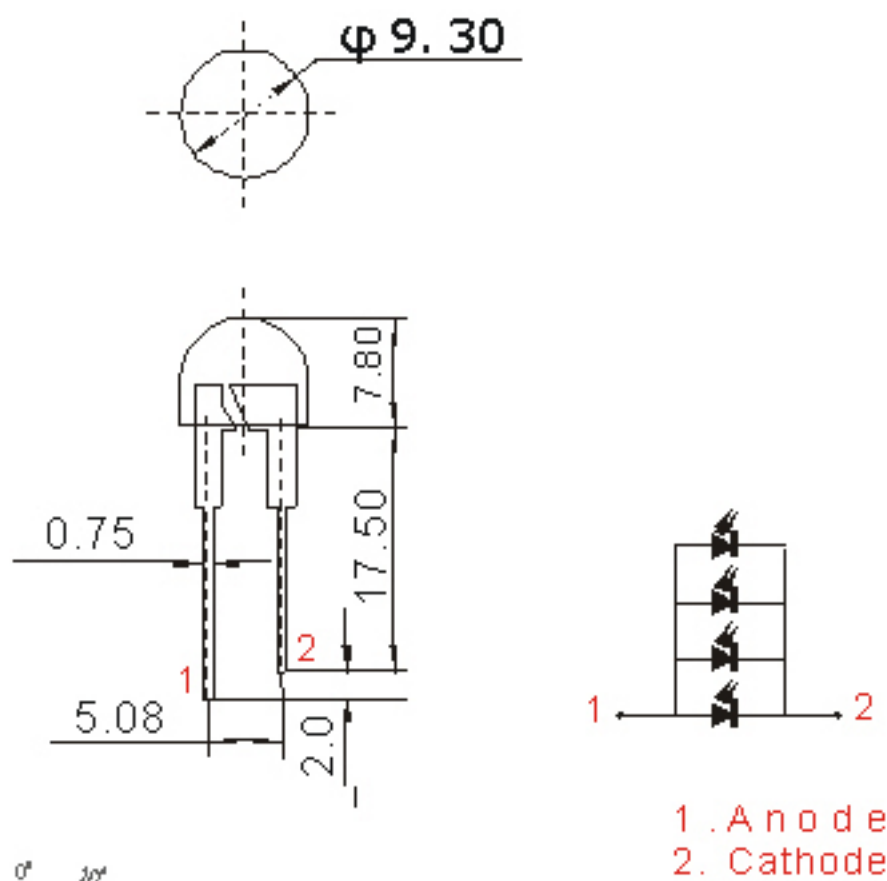
### Applications

Indicators;  
 Illumination;

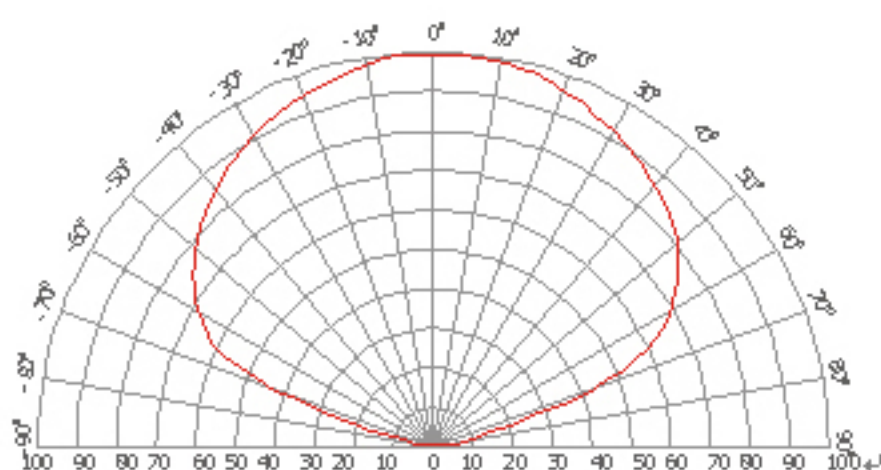
### Package Dimensions

Part No's:

850-248, 250, 252, 254, 255



Unit : mm  
 Tolerance:  $\pm 0.01$



### Absolute maximum ratings ( $T_a=25^{\circ}\text{C}$ )

Parameter	Symbol	Max	Unit
Power Dissipation	$P_D$	300	mW
Peak Forward Current	$I_{FP}$	100	mA
Continuous Forward Current	$I_F$	80	mA
Reverse Voltage	$V_R$	5	V
Operating Temperature Range	$T_{opr}$	$-25^{\circ}\text{C}$ to $+80^{\circ}\text{C}$	

### Electro-Optical Characteristics ( $T_a=25^{\circ}\text{C}$ , @ $I_F$ = Typ. 80mA, Max. 100mA)

Part No.	Lens Color	Emitting Color	Wavelength $\lambda_d$ (nm)		Forward Voltage $V_F$ (V)		Luminous Flux (lm) typ.	Reverse Current $I_R$ ( $\mu\text{A}$ )	Viewing Angle $2\theta_{1/2}$
			Min. (X)	Max. (Y)	Typ	Max			
10W4DHCBB-H	Water Clear	White	0.289	0.301	3.2	3.6	12-16	$\leq 30$	$140^{\circ}$
10W4DHCBB-S	Water Clear	Warm White	0.451	0.437	3.2	3.6	8-10	$\leq 30$	$140^{\circ}$
10B4DHCBB	Water Clear	Blue	460	470	3.2	3.6	3-5	$\leq 30$	$140^{\circ}$
10G4DHCBB	Water Clear	Green	520	525	3.2	3.6	8-12	$\leq 30$	$140^{\circ}$
10R4DHCBB	Water Clear	Red	620	625	2.0	2.2	3-5	$\leq 30$	$140^{\circ}$
10Y4DHCBB	Water Clear	Yellow	585	593	2.0	2.2	3-5	$\leq 30$	$140^{\circ}$