

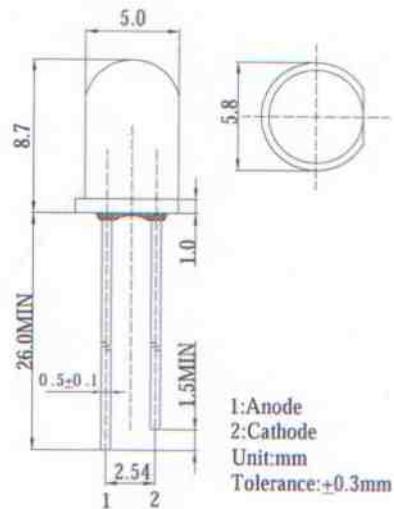
■Features

- High Luminous LEDs
- 5mm Round Standard Directivity
- Superior Weather-resistance
- Flashing Type
- Water Clear Type

■Applications

- Toys
- Games
- Audio
- Other Lighting

■Outline Dimension

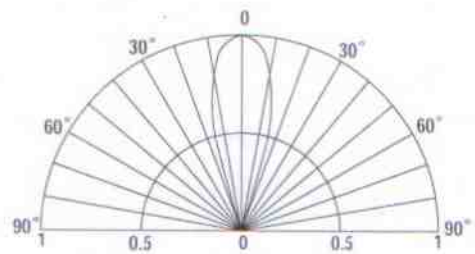


■Absolute Maximum Rating

(Ta=25°C)

| Item | Symbol | Value | Unit |
|----------------------------|---------|------------|------|
| Power Supply | Voltage | 5 | V |
| Operating Temperature | Topr | -30 ~ +85 | °C |
| Storage Temperature | Tstg | -40 ~ +100 | °C |
| Lead Soldering Temperature | Tsol | 260°C/5sec | - |

■Directivity



■Electrical -Optical Characteristics

(Ta=25°C)

| Item | Symbo | Condition | Min. | Typ. | Max. | Unit |
|-----------------------|-------------------|----------------------|------|------|------|------|
| DC Forward Voltage | V _{dd} | I _F =20mA | 3.0 | 3.3 | 5.0 | V |
| Oscillator Frequency* | F _{led} | I _F =20mA | - | 1.8 | - | Hz |
| Duty Cycle | Duty | I _F =20mA | - | 1/2 | - | - |
| Domi. Wavelength* | λ _D | I _F =20mA | 620 | 625 | 630 | nm |
| Luminous Intensity* | I _v | I _F =20mA | 2000 | 2500 | - | mcd |
| 50% Power Angle | 2θ _{1/2} | I _F =20mA | - | 30 | - | deg |

*1 Tolerance of dominant wavelength is ±1nm

*2 Tolerance of luminous intensity is ±15%

*3 Tolerance of Frequency is ±20%