

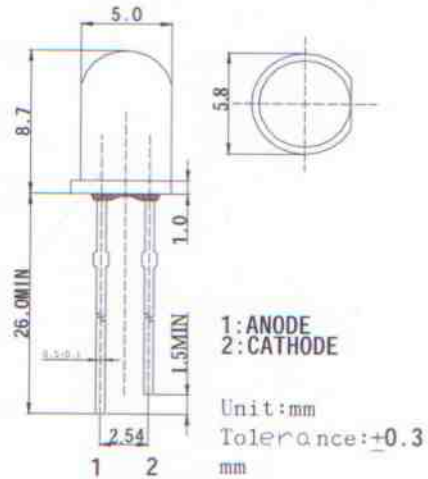
■Features

- High Power LEDs
- 5mm Standard Directivity
- Water Clear Type
- Flashing Type
- Superior Weather-resistance

■Applications

- Automotive Dashboard Lighting
- Traffic Signal Lamp

■Outline Dimension

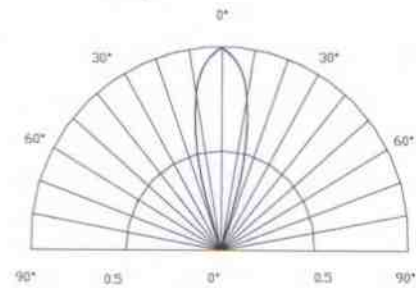


■Absolute Maximum Rating (Ta=25°C)

Item	Symbol	Value	Unit
Oscillator Frequency	Fled	1.5	Hz
Operating Temperature	Topr	-30 ~ +80	°C
Storage Temperature	Tstg	-40 ~ +100	°C
Lead Soldering Temperature	Tsol	260°C/3sec	-

\*Pulse width Max.10ms Duty ratio max 1/10

■Directivity



■Electrical -Optical Characteristics (Ta=25°C)

Item	Symbol	Condition	Min.	Typ.	Max.	Unit
Operating Voltage	Vdd	-	3.5	4.0	4.8	V
Operating Current	Iop	-	-	10	40	μA
Reverse Current	Irc	Vr=5V	-	-	10	μA
Driving Current	Iol	-	-	25	-	mA
Domi. Wavelength	X	I <sub>f</sub> =20mA	0.25	0.27	0.30	-
	Y	I <sub>f</sub> =20mA	0.26	0.28	0.31	-
Luminous Intensity	I <sub>v</sub>	I <sub>f</sub> =20mA	2000	3000	-	mcd
50% Power Angle	2θ <sub>1/2</sub>	I <sub>f</sub> =20mA	-	30	-	deg