

3mm Round Premium Red LED

OSR5PA3131A

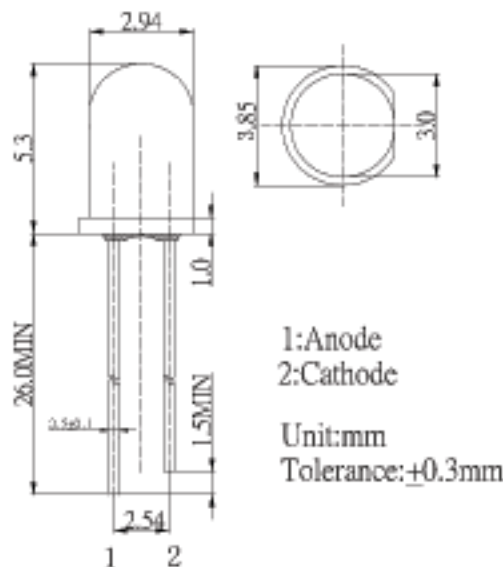
■ Features

- High Luminous LEDs
- 3mm Round Standard Directivity
- Superior Weather-resistance
- UV Resistant Epoxy
- Water Clear Type

■ Applications

- Traffic signal, Portable light source
- Signage and channel letter
- Decorating and entertainment lighting
- Architectural lighting
- Outdoor/Indoor applications/Other Lighting

■ Outline Dimension



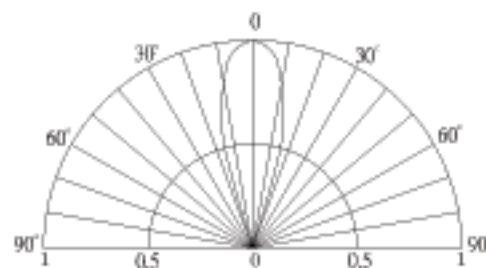
■ Absolute Maximum Rating

($T_a=25^\circ\text{C}$)

Item	Symbol	Value	Unit
DC Forward Current	I_F	50	mA
Pulse Forward Current*	I_{FP}	120	mA
Reverse Voltage	V_R	5	V
Power Dissipation	P_D	130	mW
Operating Temperature	T_{opr}	-40 ~ +85	$^\circ\text{C}$
Storage Temperature	T_{stg}	-40 ~ +100	$^\circ\text{C}$
Lead Soldering Temperature	T_{sol}	260 $^\circ\text{C}$ /5sec	-

*Pulse width Max.10ms , Duty ratio max 1/10

■ Directivity



■ Electrical -Optical Characteristics

($T_a=25^\circ\text{C}$)

Item	Symbol	Condition	Min.	Typ.	Max.	Unit
DC Forward Voltage	V_F	$I_F=20\text{mA}$	1.8	2.1	2.6	V
DC Reverse Current	I_R	$V_R=5\text{V}$	-	-	10	μA
Dom. Wavelength*	λ_D	$I_F=20\text{mA}$	620	625	630	nm
Luminous Intensity*	I_v	$I_F=20\text{mA}$	4200	5000	-	mcd
50% Power Angle	$2\theta_{1/2}$	$I_F=20\text{mA}$	-	30	-	deg

*1) Tolerance of dominant wavelength is ± 1 nm

*2) Tolerance of luminous intensity is $\pm 15\%$

■ Maximum Forward Current

