

| |
|------------------------------------|
| 5mm Full Color Flashing LED |
| OSTB5132A |

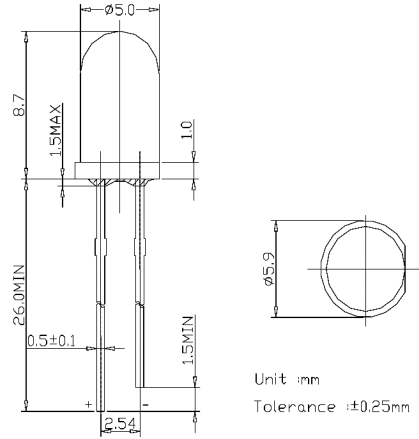
• • Features

- • High Luminous Output
- • Red/Pure Green/Blue Flashing LED
- • Superior Weather-resistance
- • White Diffused Type
- • RoHS Compliant

• • Applications

- • Toys
- • Games
- • Audio

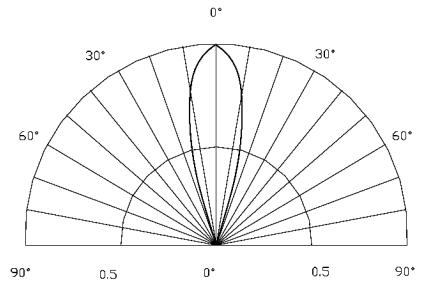
• • Outline Dimension



• • Absolute Maximum Rating (Ta=25•)

| Item | Symbol | Value | Unit |
|----------------------------|--------|------------|------|
| Oscillator Frequency | Fled | 0.8 | Hz |
| Operating Temperature | Topr | -30 ~ + 80 | |
| Storage Temperature | Tstg | -30 ~+ 100 | • • |
| Lead Soldering Temperature | Tsol | 260• #3sec | - |

• • Directivity



• • Electrical -Optical Characteristics (Ta=25•)

| Item | Symbol | Condition | Min. | Typ. | Max. | Unit |
|--------------------|---------------------|------------|------|------|------|------|
| Operating Voltage | Vdd | - | 2.7 | 4.5 | 5.0 | V |
| Operating Current | Iop | - | - | 10 | 40 | mA |
| Quiescent Current | Isb | - | - | 1 | 5 | uA |
| Driving Current | Iol | - | - | 25 | - | mA |
| Domi. Wavelength | λ_D (Red) | $I_F=20mA$ | 620 | 625 | 630 | nm |
| | λ_D (Green) | $I_F=20mA$ | 520 | 525 | 530 | nm |
| | λ_D (Blue) | $I_F=20mA$ | 465 | 470 | 475 | nm |
| Luminous Intensity | Iv(Red) | $I_F=20mA$ | - | 600 | - | mcd |
| | Iv(Green) | $I_F=20mA$ | - | 1000 | - | mcd |
| | Iv(Blue) | $I_F=20mA$ | - | 500 | - | mcd |
| 50% Power Angle | $2\theta_{1/2}$ | $I_F=20mA$ | - | 30 | - | deg |