

<b>5mm Full Color Flashing LED</b>
<b>OSTB5131A</b>

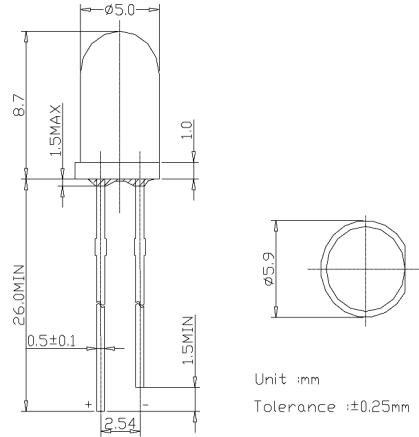
**• • Features**

- • High Luminous Output
- • Red/Pure Green/Blue Flashing LED
- • Superior Weather-resistance
- • Water Clear Type
- • RoHS Compliant

**• • Applications**

- • Toys
- • Games
- • Audio

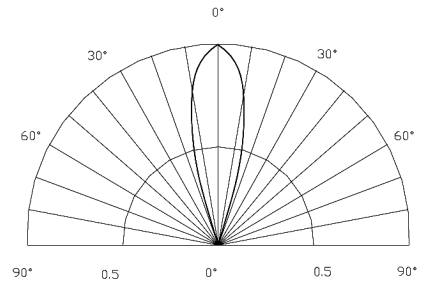
**• • Outline Dimension**



**• • Absolute Maximum Rating (Ta=25• )**

Item	Symbol	Value	Unit
Oscillator Frequency	Fled	0.8	Hz
Operating Temperature	Topr	-30 ~ + 80	• •
Storage Temperature	Tstg	-30 ~+ 100	• •
Lead Soldering Temperature	Tsol	260• /3sec	-

**• • Directivity**



**• • Electrical -Optical Characteristics (Ta=25• )**

Item	Symbol	Condition	Min.	Typ.	Max.	Unit
Operating Voltage	Vdd	-	2.7	4.5	5.0	V
Operating Current	Iop	-	-	10	40	mA
Quiescent Current	Isb	-	-	1	5	uA
Driving Current	Iol	-	-	25	-	mA
Domi. Wavelength	$\lambda_D$ (Red)	$I_F=20mA$	620	625	630	nm
	$\lambda_D$ (Green)	$I_F=20mA$	520	525	530	nm
	$\lambda_D$ (Blue)	$I_F=20mA$	465	470	475	nm
Luminous Intensity	Iv(Red)	$I_F=20mA$	-	2200	-	mcd
	Iv(Green)	$I_F=20mA$	-	4000	-	mcd
	Iv(Blue)	$I_F=20mA$	-	2000	-	mcd
50% Power Angle	$2\theta_{1/2}$	$I_F=20mA$	-	30	-	deg