


Products


A5 series | Signal light 220V quick connection 4.8 black body





sample image

PRODUCT CODE: A51121H00000

Wiring diagrams 

Terminal type 

Body colour 






Actuator colour 

Rating

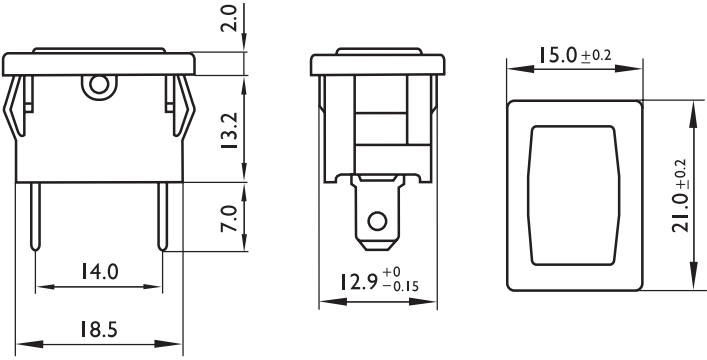
200 - 250 VAC
T125 °C

200 - 250 VAC
T65 °C

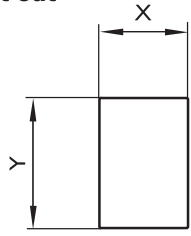
Approvals

-  UL
-  VDE
-  CSA
-  CE
-  RoHS

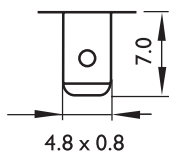
Dimensions (mm)



Cut out



Termination



Z	Y	X
0.7-1.25	19.0±0.1	13.0±0.1
1.25-2.0	19.3±0.2	13.0±0.1
2.0-3.0	19.6±0.2	13.0±0.1