


## Products


A5 series | Signal light 220V quick connection 4.8 black body





sample image

**PRODUCT CODE: A51121E00000**

Wiring diagrams 

Terminal type 

**Body colour** 






**Actuator colour** 

**Rating**

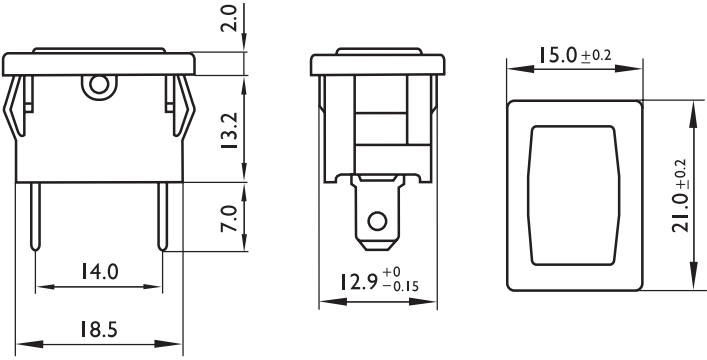
**200 - 250 VAC**  
**T125 °C**

200 - 250 VAC  
T65 °C

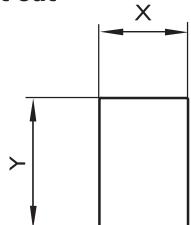
**Approvals**

-  UL
-  VDE
-  CSA
-  CE
-  RoHS

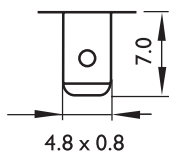
**Dimensions (mm)**



**Cut out**



**Termination**



Z	Y	X
0.7-1.25	19.0±0.1	13.0±0.1
1.25-2.0	19.3±0.2	13.0±0.1
2.0-3.0	19.6±0.2	13.0±0.1