

ABRR027 ROUND INDICATOR LAMP

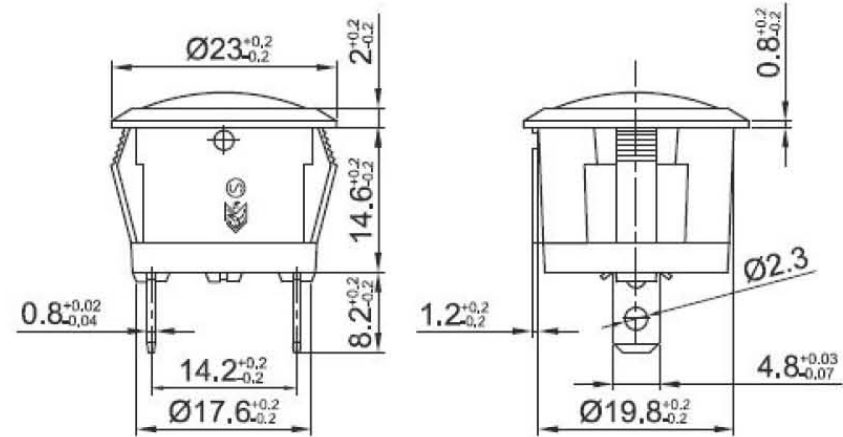
SIGNAL LAMPS

Specifications

ABRR027

Lamp Rating	12VDC
Colour	All Black with Red Indicator Lamp
Contact Resistance	30MΩ max
Insulation Resistance	500VDC 100MΩ min
Operating Temperature	-25°C~125°C

Approval VDE, UL



Features

- ROHS compliant
- Housing material: Nylon #66 UL 94V-2
- Terminal material: Copper alloy SN or AG plated
- Lens material: PC UL 94HB

PANEL HOLE SIZE

Panel thickness	X
0.75-1.25	20.2
1.25-2.0	20.4
2.0-3.0	20.6

