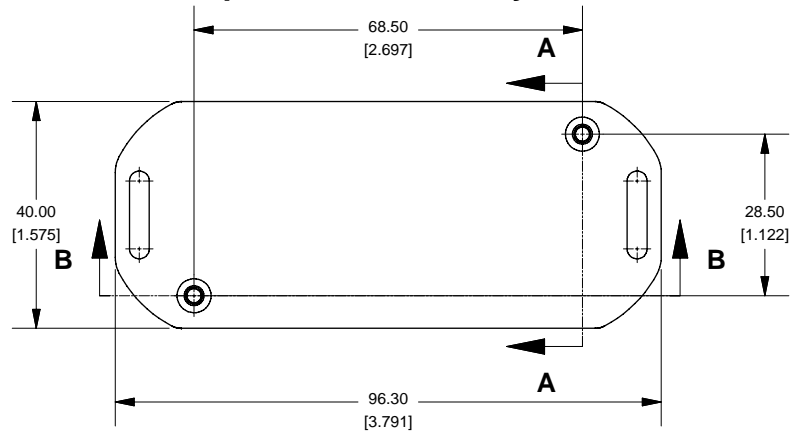
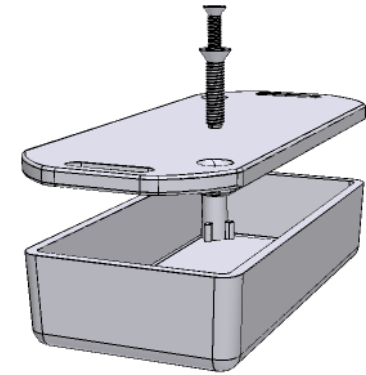
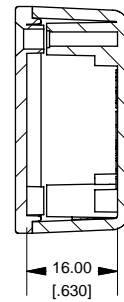


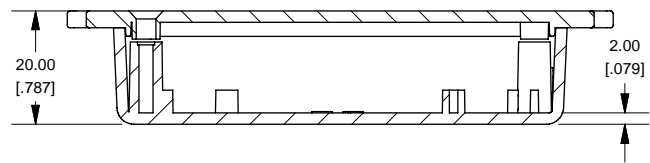
Top View of Assembly



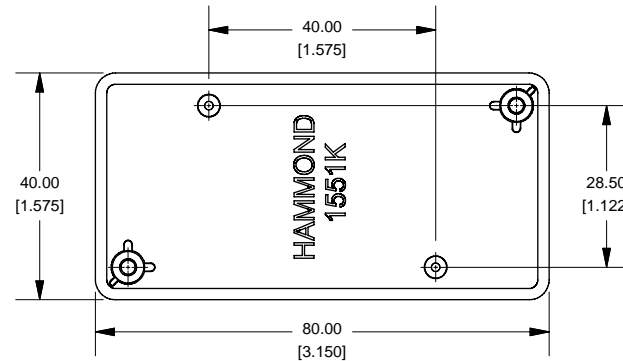
SECTION A-A End View of Assembly



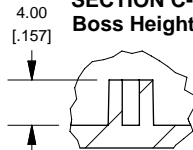
SECTION B-B Side View of Assembly



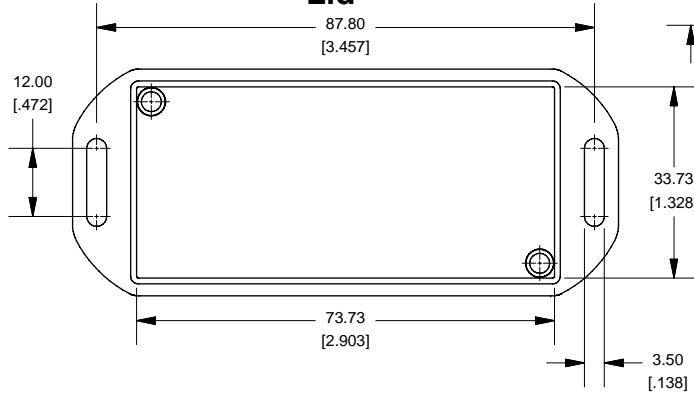
Top View Looking Inside Box



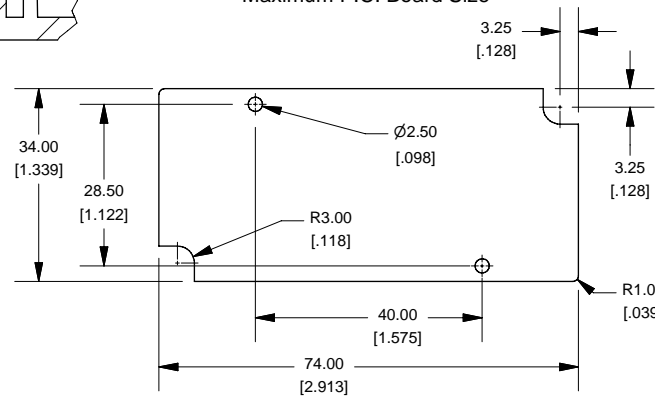
SECTION C-C Boss Heights



Lid



Maximum P.C. Board Size



NOTE

Purchased assembly includes lid and box made from GP ABS material and cover screws.

1551KFL

1551KFL Enclosure

| | |
|--|------------|
| Black Enclosure - RAL 9011 - UL94 - HB | 1551KFLBK |
| Gray Enclosure - RAL 7035 - UL94 - HB | 1551KFLGY |
| Translucent Blue - UL94 - HB | 1551KFLTBU |

ACCESSORIES

Recommended Screw Torque: 15-20 ozf.in (10-15 cN.m)

| | |
|---|-------------|
| Black Enclosure Cover Screws (Pkg 100) X 1/2" Self Tapping | 1591TS100BK |
| Grey Enclosure Cover Screws (Pkg 100) X 1/2" Self Tapping | 1591TS100 |
| P.C. Board Screws (Pkg 100) #2 x 3/16" Self Tapping | 1551ATS100 |

**HAMMOND
MANUFACTURING™**

1551KFL
www.hammondmfg.com