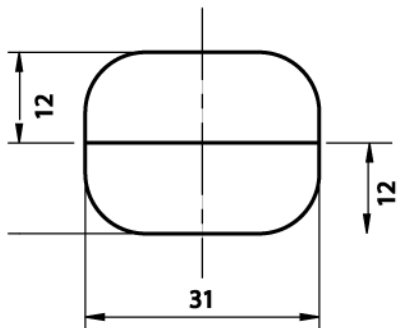


Order Code SB106



Wall thickness 1.5 mm

