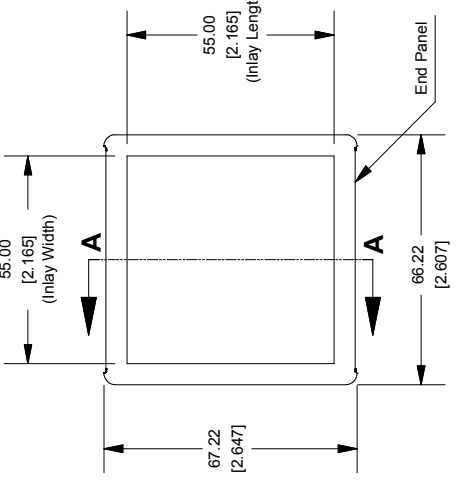
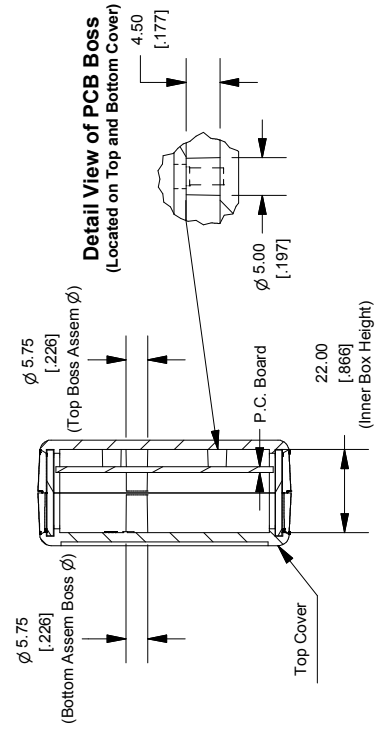


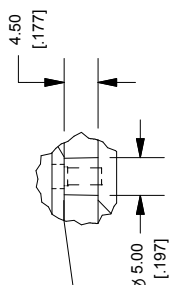
Hand Held Instrument (1593K)



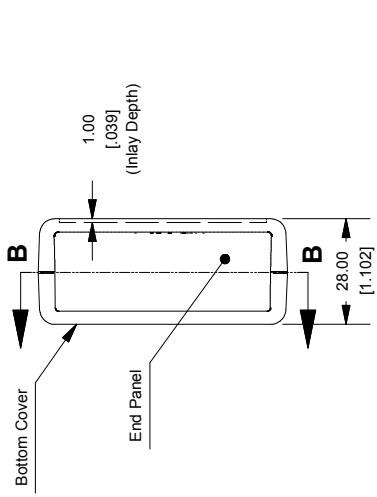
SECTION A-A (Side View Inside Assembly)



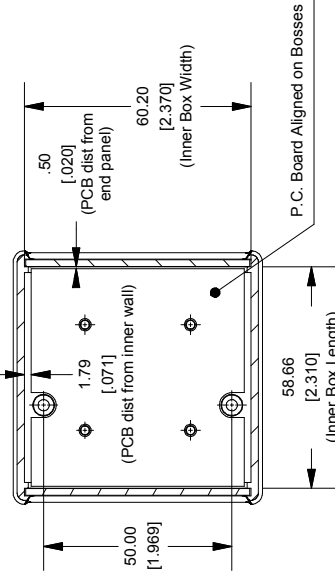
Detail View of PCB Boss
(Located on Top and Bottom Cover)



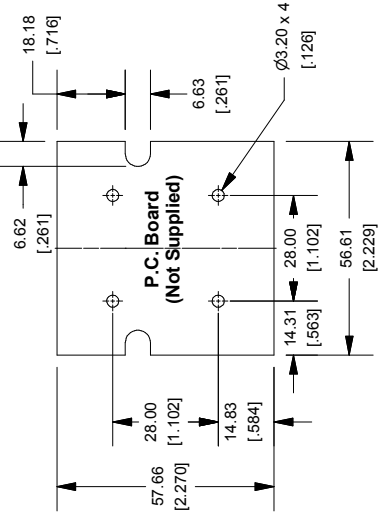
End View of Assembly



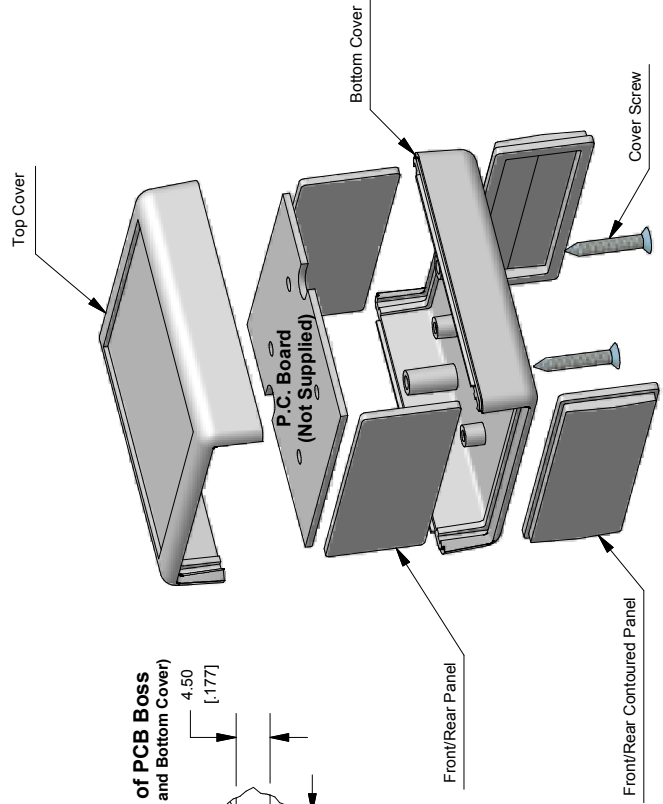
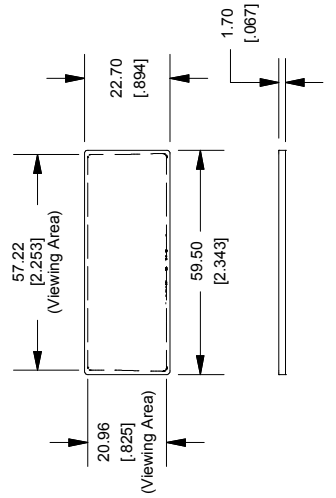
SECTION B-B (Inside of Bottom Cover)



Maximum P.C. Board Size



Front/Rear Panel (Dashed Line Indicates Viewing Area)



NOTE

Purchased assembly includes top and bottom cover, front and rear plastic panels (2 types - flat and contoured) and 2 cover screws.

PART NUMBERS	
1593K Enclosure	
Black Enclosure	1593KBK
Grey Enclosure	1593KGY
ACCESSORIES	
Cover Screws (Pkg 100)	1593KS100
[#4 x 7/8" self-tapping oval head (22.2mm)]	1593ATS50 (Pkg 50)
	1593ATS100 (Pkg 100)
P.C. Board Screws	1599CLIP (Black)
[#4 x 1/4" self-tapping (6.4mm)]	1599CLIPGY (Grey)
	1599CLIP (Black)
Belt or Pocket Clip	1593PIR10
Infrared Panels (Pkg 10)	

