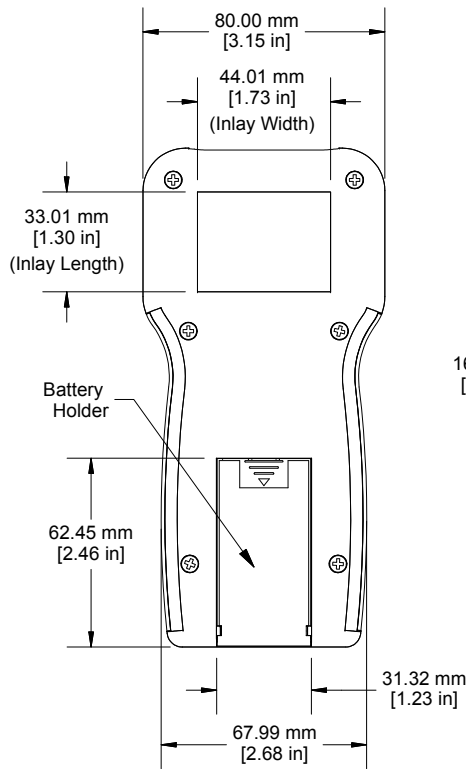
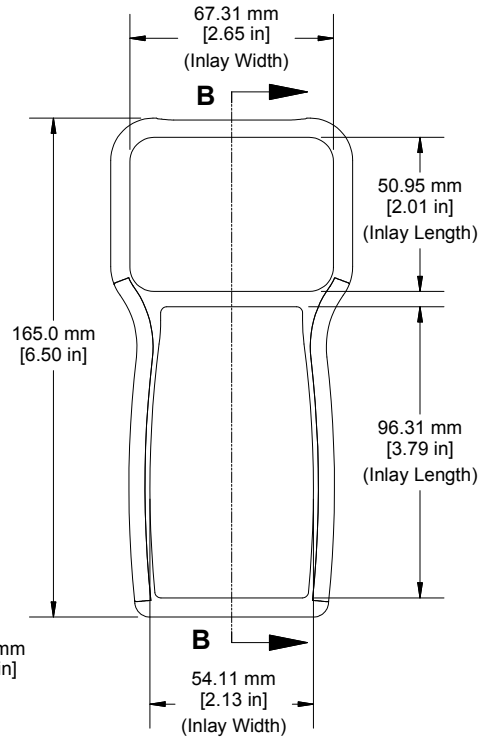


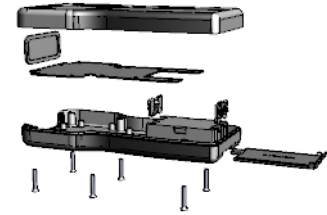
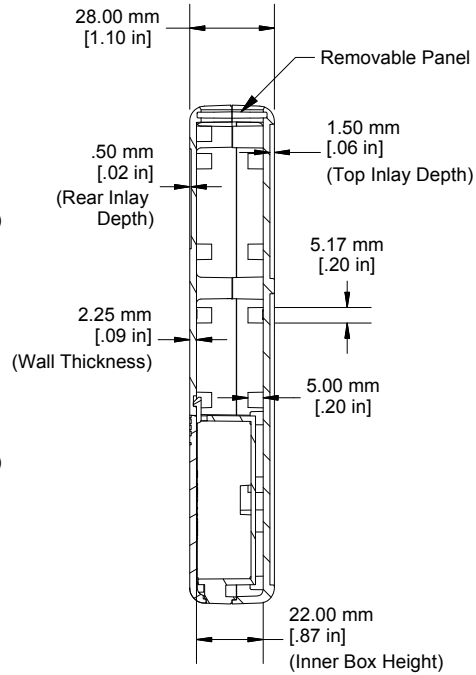
**Rear View of Assembly**



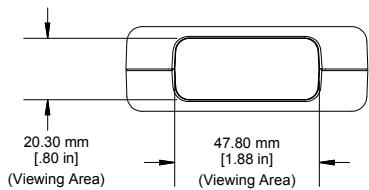
**Top View of Assembly**



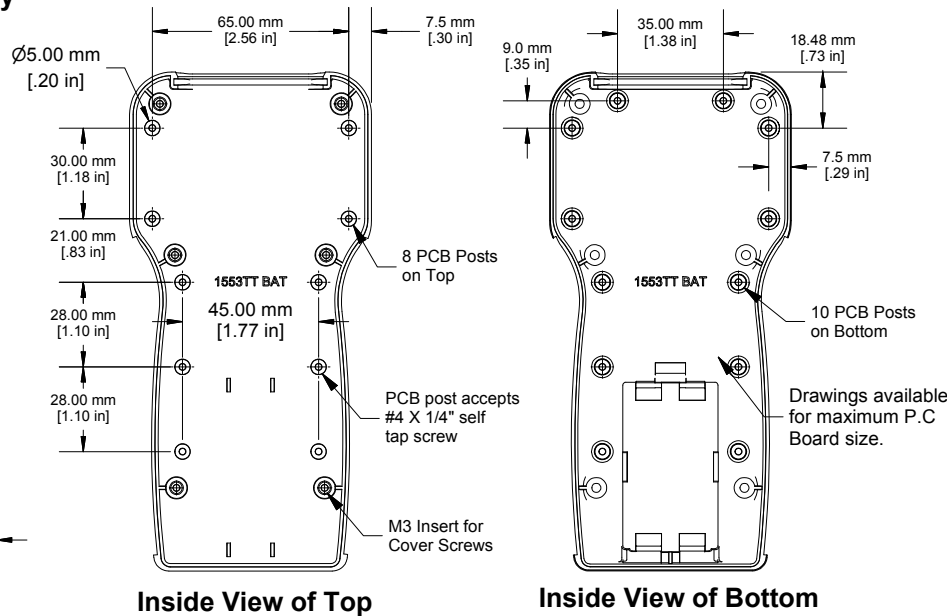
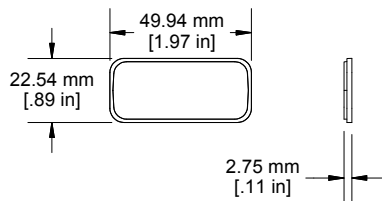
**SECTION B-B  
(Side View of Assembly)**



**Top End View of Assembly**



**Top/Bottom Panel**



Enclosures can be Factory Modified ( Milling, Drilling, Printing etc.)  
Contact Factory [mjm@hammondmfg.com](mailto:mjm@hammondmfg.com) for quotes  
Solid models of this enclosure available in STEP or IGES.

NOTE	
Enclosure molded from FR ABS (UL94-V0) plastic.	
Purchased assembly includes top and bottom cover, 1 removable panel, battery spring clips (4 pcs), 9V adapters (1pcs) and 6 cover screws (M3-0.5 x 18mm). M3 Brass inserts are installed to accept the cover screws. (P.C. Board not supplied)	
PART NUMBERS	
1553TT Battery Enclosure	
Black Enclosure/Grey Over-mold	1553TTBKBAT
Grey Enclosure/Grey Over-mold	1553TTGYBAT
ACCESSORIES	
Replacement Cover Screws (Pkg 100) [M3-0.5 x 18mm, Flat Head]	1594MS100 (Silver) 1594MS100BK (Black)
P.C. Board Screws [#4 x 1/4"(6.4mm) Self Tapping]	1593ATS50 (Pkg 50) 1593ATS100 (Pkg 100)



**HAMMOND  
MANUFACTURING™**

**1553TTBAT**

[www.hammondmfg.com](http://www.hammondmfg.com)