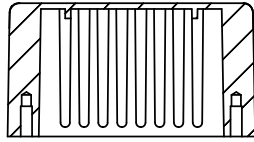


OVERALL ASSEMBLY DIMENSIONS:

EXTERNAL - 120 x 65.5 x 39.5

INTERNAL - 116.4 x 61.9 x 35.3

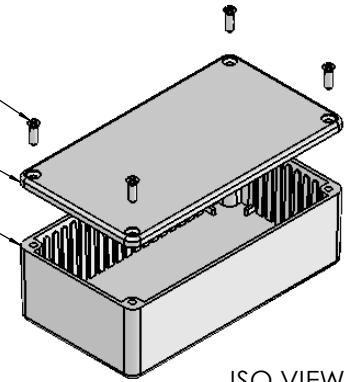


SECTION B-B

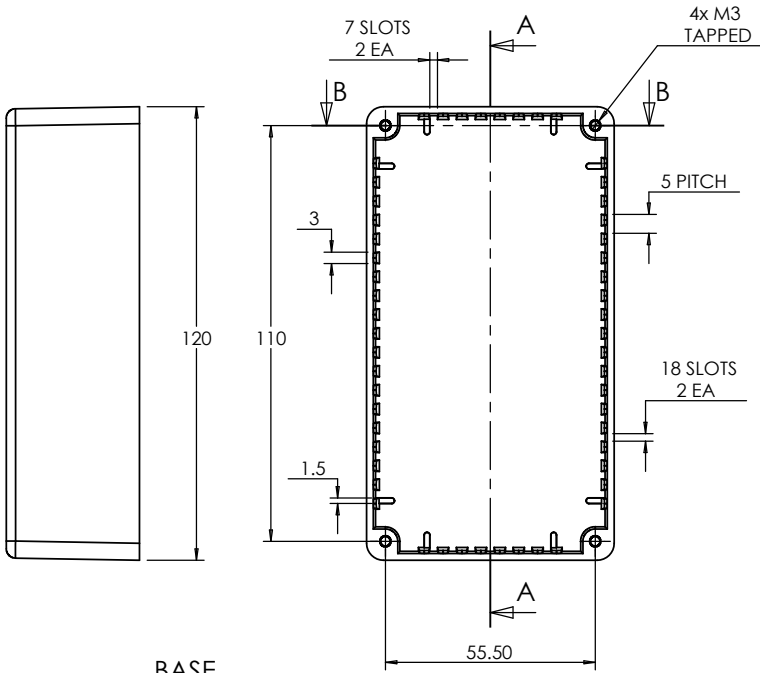
M3 CSK SCREW

LID

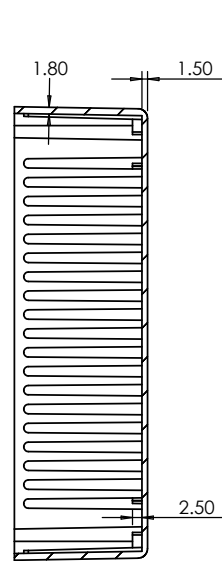
BASE



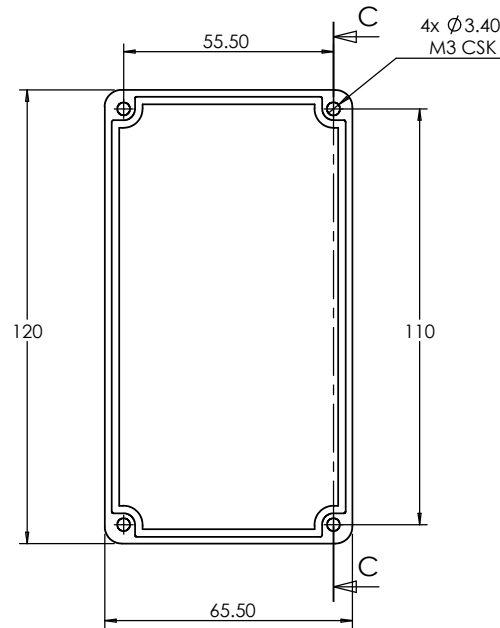
ISO VIEW
1:3



BASE

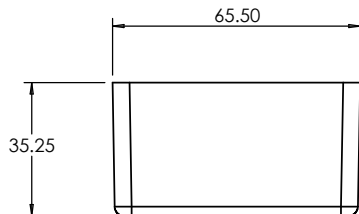


SECTION A-A



SECTION C-C

LID



<p>JAMES CARTER RD, MILDENHALL, SUFFOLK. IP28 7DE TEL: 01638 716101 FAX: 01638 716554 EMAIL: SALES@BOSS-ENCLOSURES.CO.UK WEB: WWW.BOSS-ENCLOSURES.CO.UK</p>				UNLESS OTHERWISE SPECIFIED: DIMENSIONS ARE IN MILLIMETERS		DO NOT SCALE DRAWING		REVISION. 0		
				FINISH: SMOOTH		TITLE: ASSEMBLY DRG FOR 5004/14				
DRAWN S.HARDINGE		SIGNED SJH		DATE 06/12/05		MATERIAL: DIE-CAST ALUMINIUM		DWG NO. 5004,14		A4
CHK'D -		-		-		PROJECTION. 		SCALE: 1:2		SHEET 1 OF 1