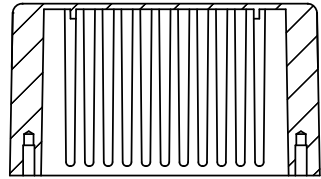


OVERALL ASSEMBLY DIMENSIONS:

EXTERNAL - 152 x 82 x 49.75

INTERNAL - 149.4 x 78.4 x 45.5

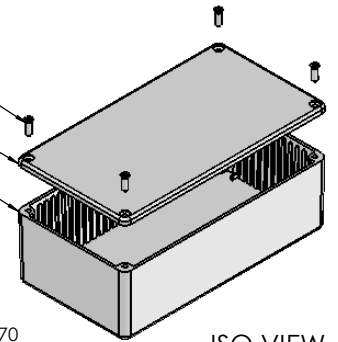


SECTION B-B

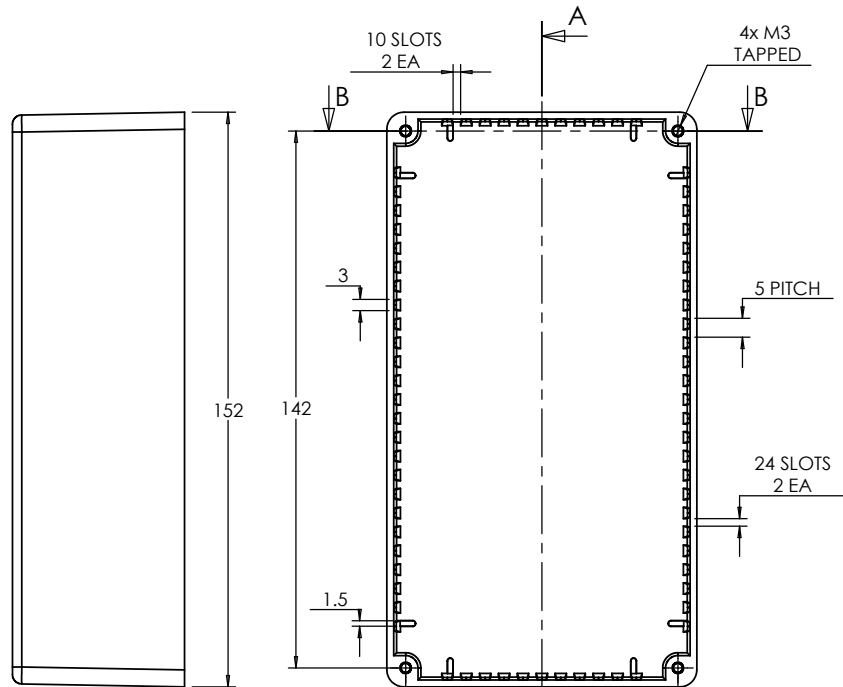
M3 CSK SCREW

LID

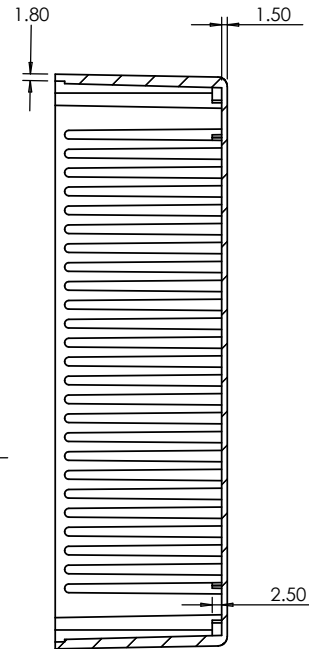
BASE



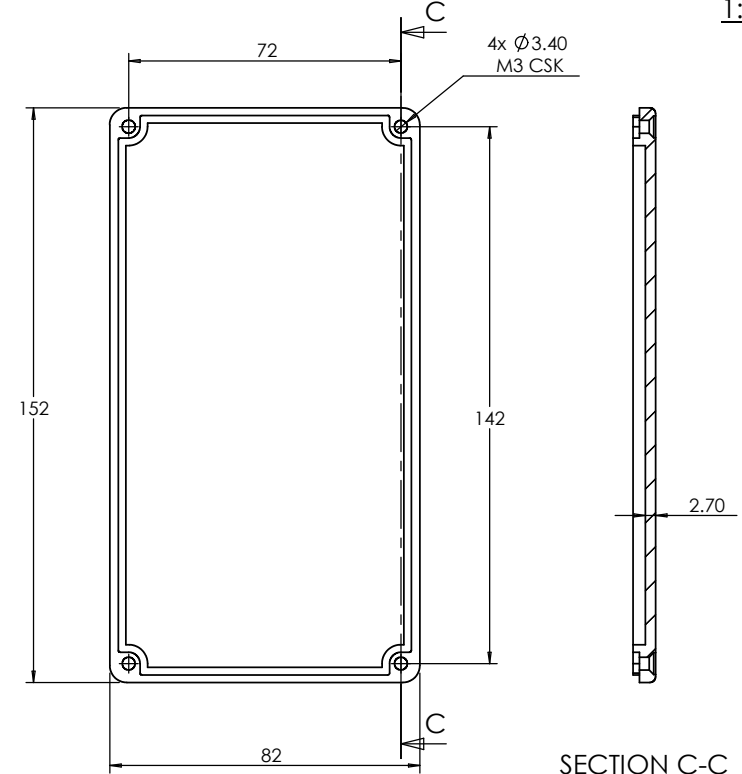
ISO VIEW
1:4



BASE

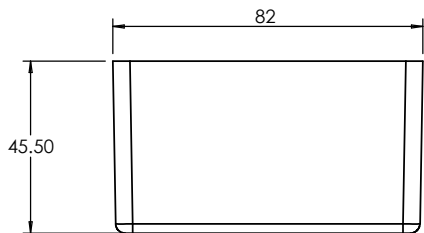


SECTION A-A



SECTION C-C

LID



		UNLESS OTHERWISE SPECIFIED: DIMENSIONS ARE IN MILLIMETERS		DO NOT SCALE DRAWING	REVISION: 0
		FINISH: SMOOTH		TITLE: ASSEMBLY DRG FOR 5005/15	
JAMES CARTER RD, MILDENHALL, SUFFOLK. IP28 7DE TEL: 01638 716101 FAX: 01638 716554 EMAIL: SALES@BOSS-ENCLOSURES.CO.UK WEB: www.BOSS-ENCLOSURES.CO.UK		MATERIAL: DIE-CAST ALUMINIUM		DWG NO. 5005,15	A4
DRAWN	S.HARDINGE	SIGNED	SJH	DATE	07/12/05
CHK'D	-	-	-	PROJECTION.	
				SCALE: 1 : 2	SHEET 1 OF 1