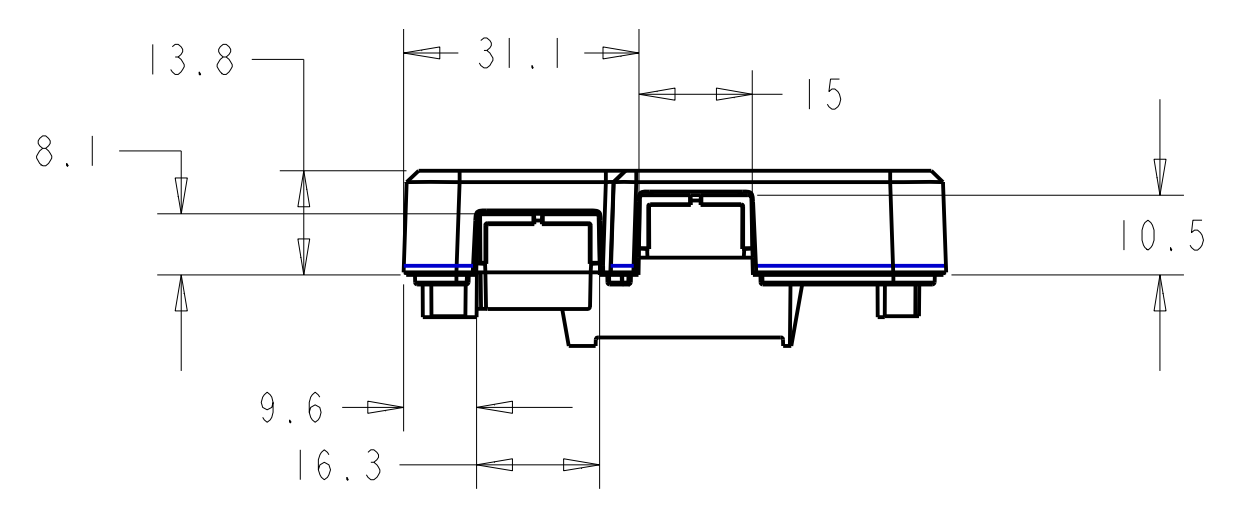
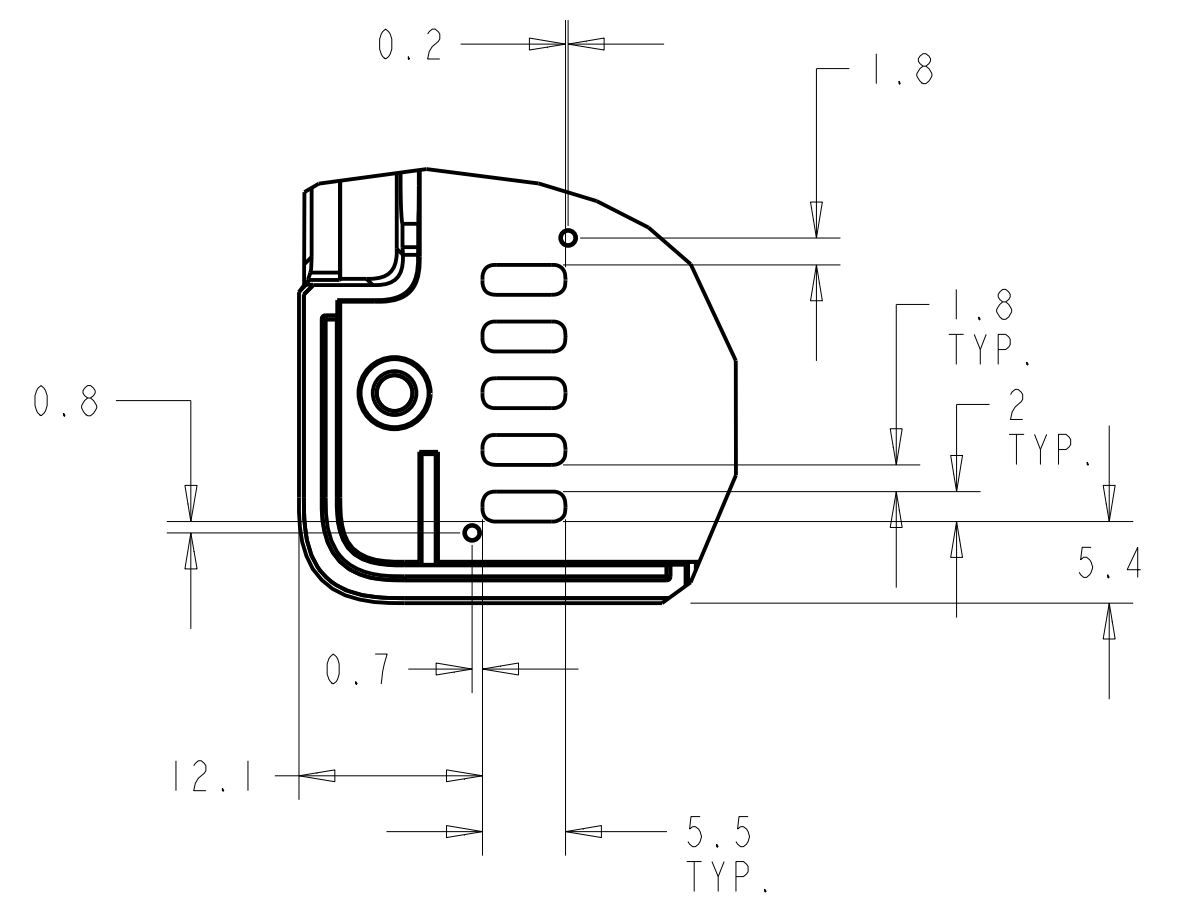
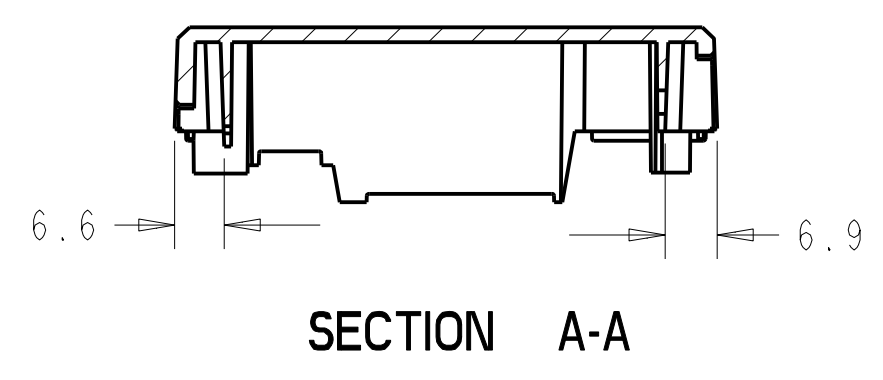
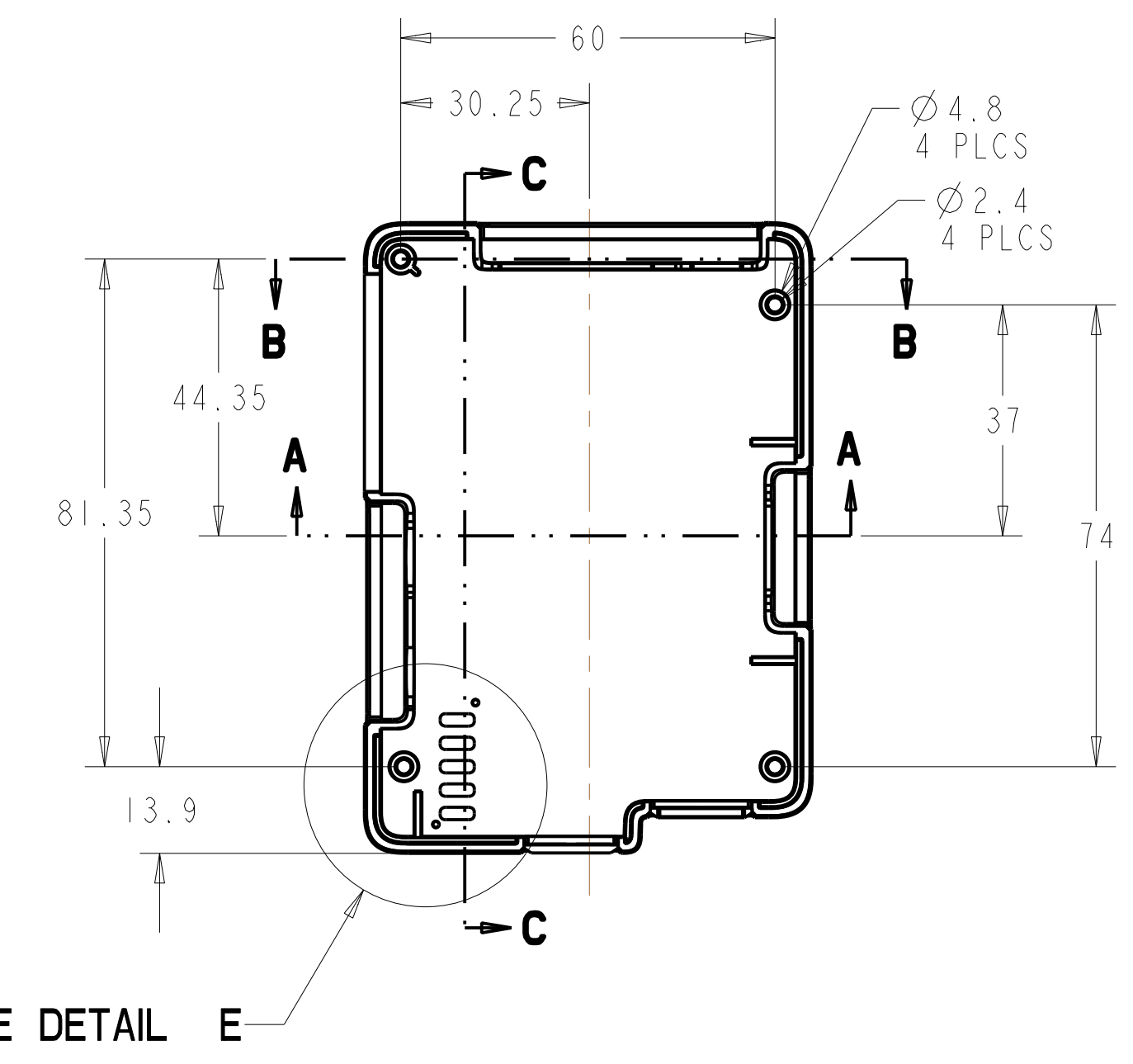
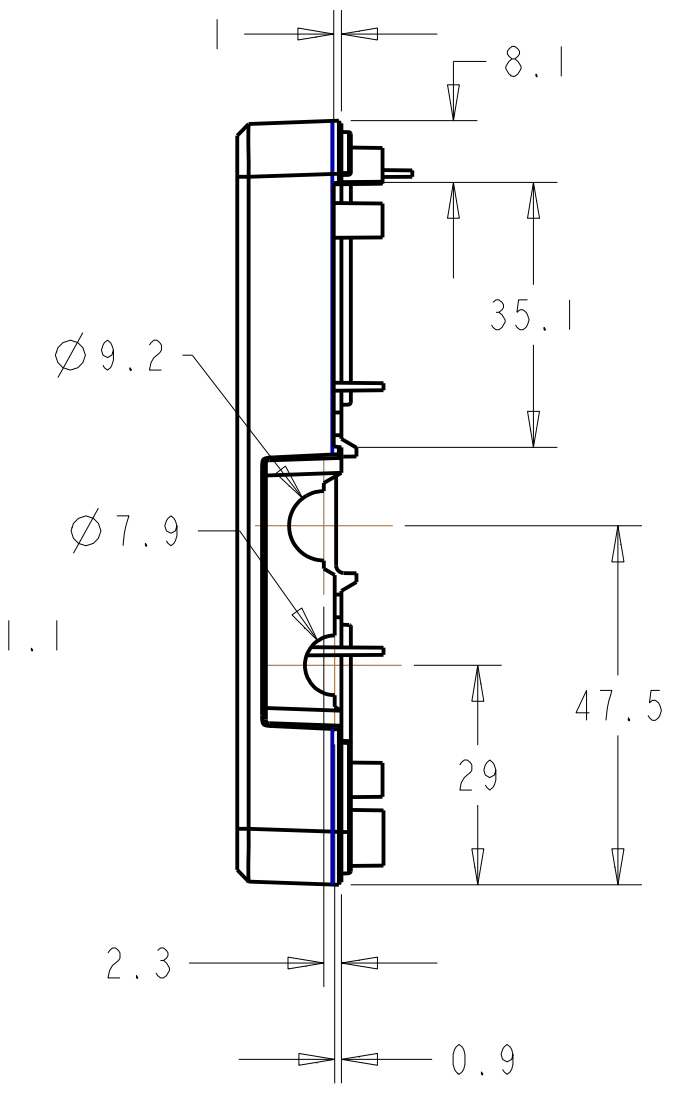
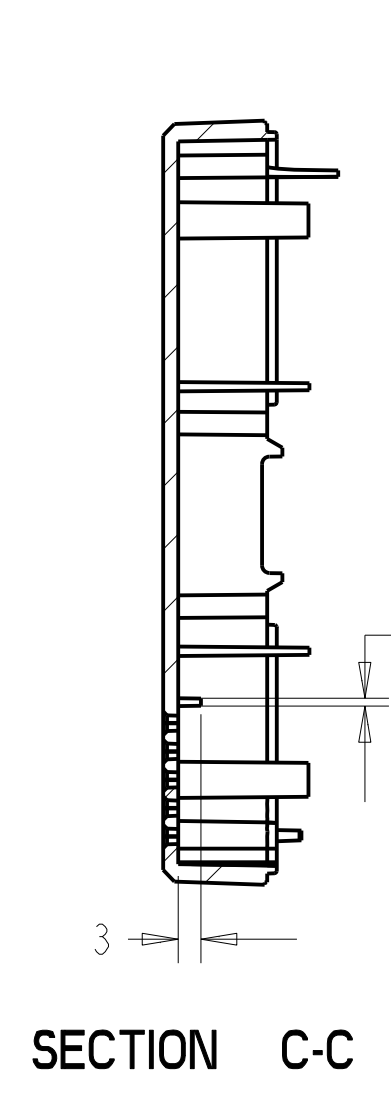
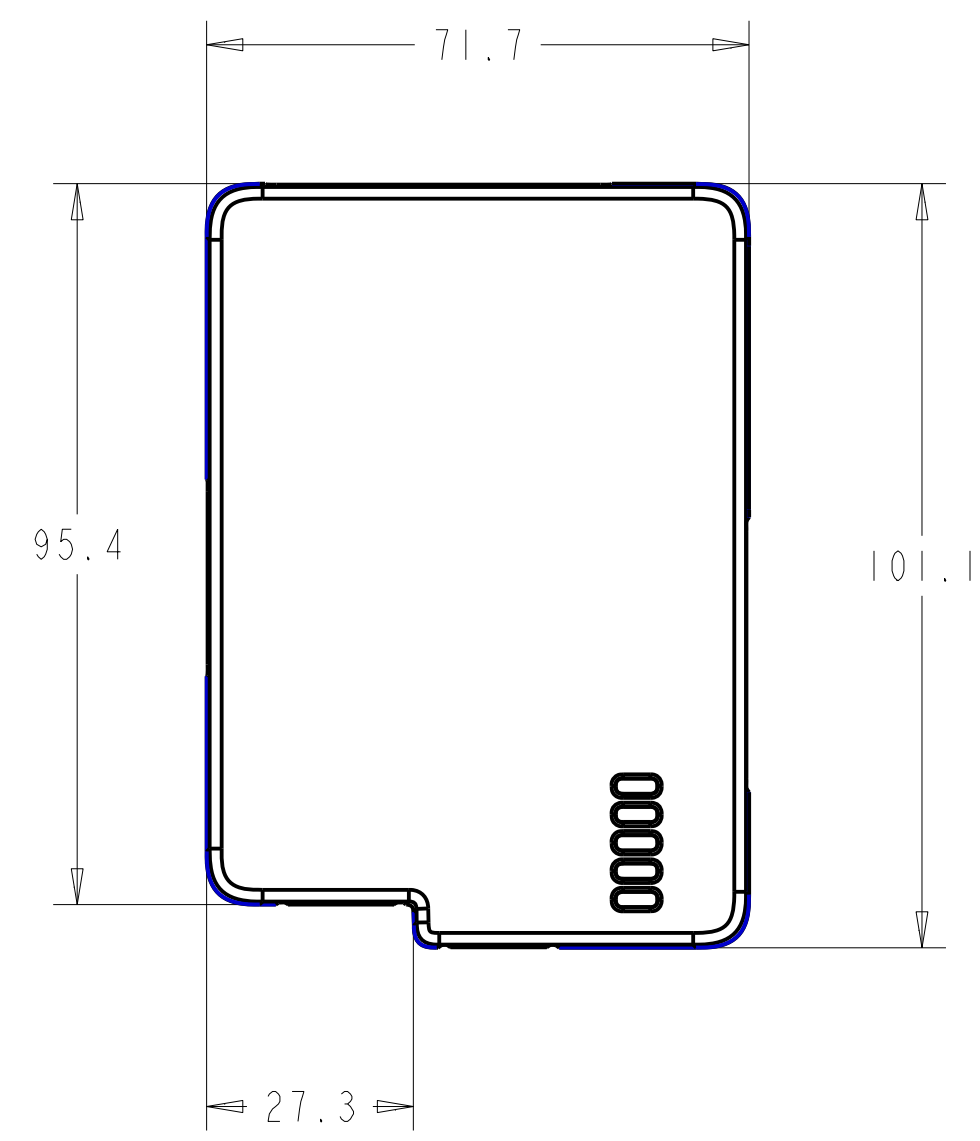
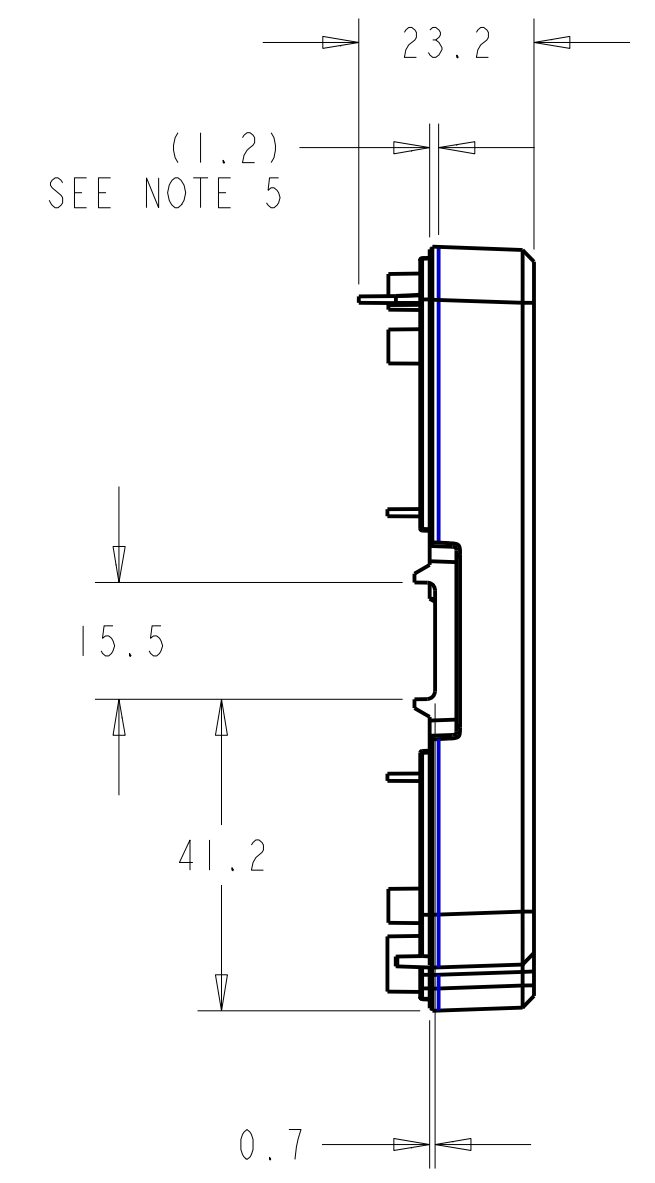
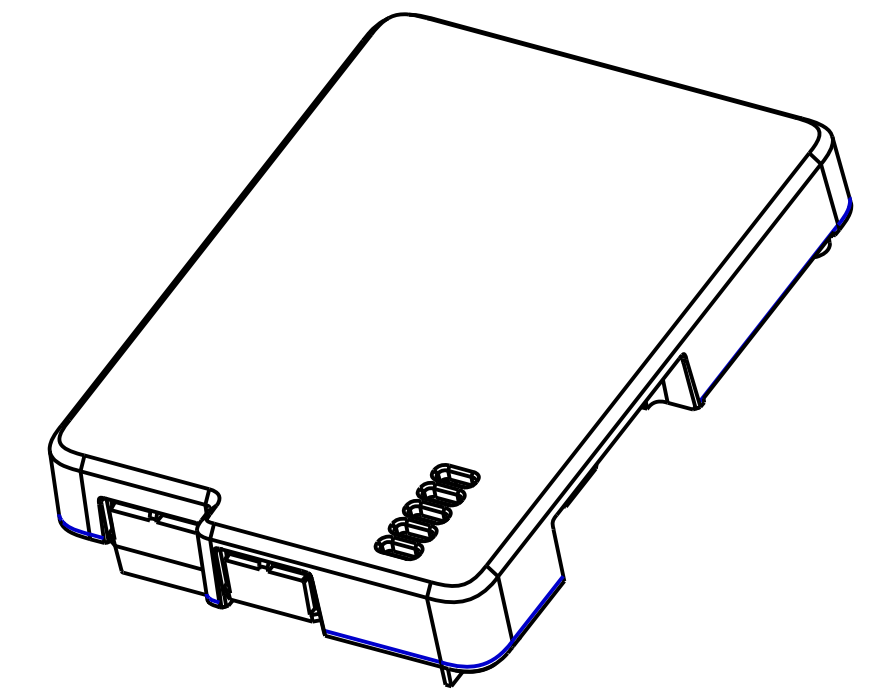
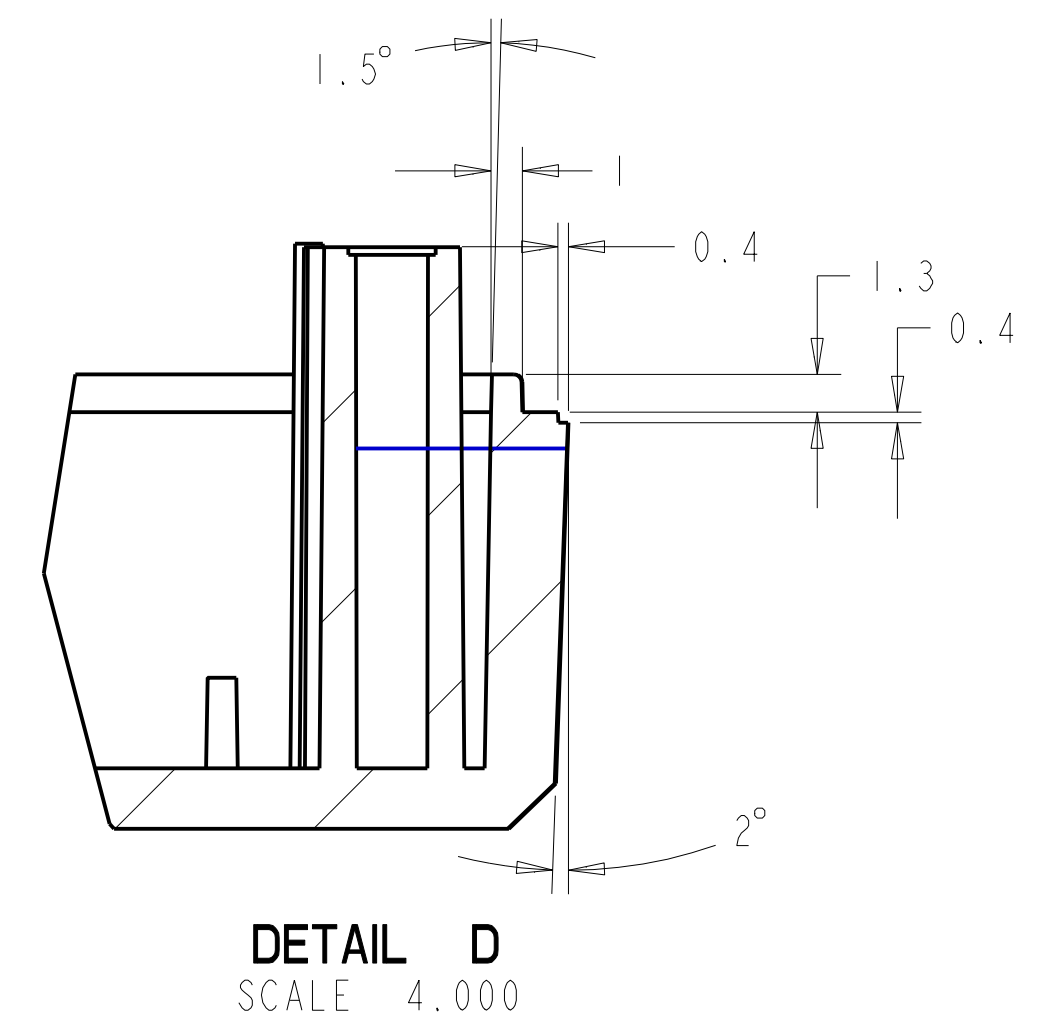
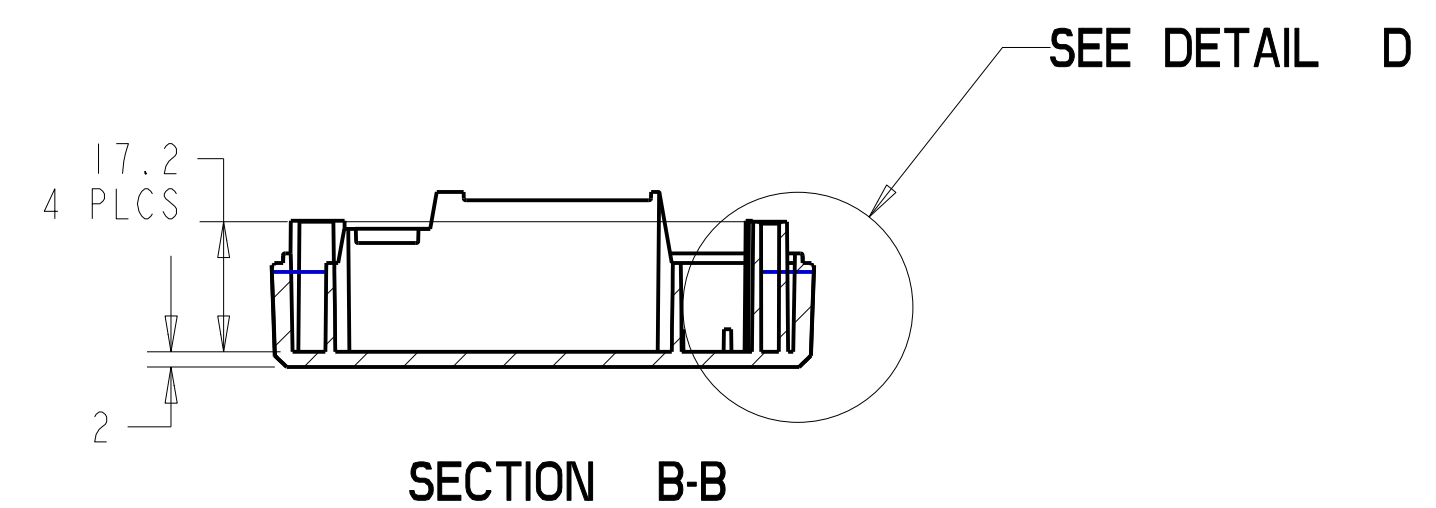
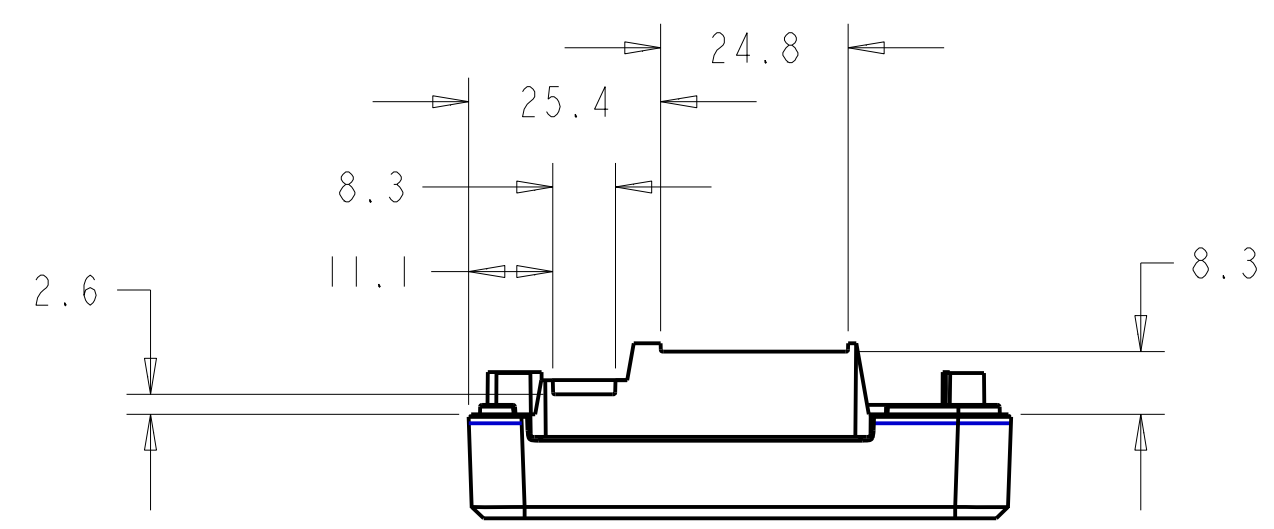


REVISIONS				
LET	ECN	DESCRIPTION	DATE	INT
01		RELEASE FOR REVIEW	07/17/12	TWS
02		ADDED KNOCKOUT FOR GPIO CONNECTOR REPOSITIONED AND ADDED DRAFT TO ASSEMBLY BOSSES	07/21/12	TWS
03		ENLARGED CASE SIZE, REPOSITIONED ASSEMBLY BOSSES, REMOVED GPIO KNOCKOUT, ADDED SLOT AT PARTING LINE FOR GPIO RIBBON	07/30/12	TWS
04		REVISED DRAFTS AROUND CONNECTOR AND LIGHT PIPE OPENINGS	07/31/12	TWS
05		UPDATED POLISHED BAND AREA TO 1.2MM	08/01/12	RW



DETAIL E
SCALE 2.000

THIRD ANGLE PROJECTION: 	NAME	DATE	RASPBERRY PI TOP COVER		
	DRAWN: T.SCOTT	07/17/12			
MOLDED TOLERANCE: PRODUCT WILL BE PRODUCED PER SPI-SPE INSTITUTE PRODUCT STANDARDS AND TOLERANCES	CHECK:		PROCESS:	SCALE:	SHEET 1 OF 1
	APPROVE:		CUSTOM	1:1	REV 05
 ELECTRO-MECHANICAL SPECIALISTS					