
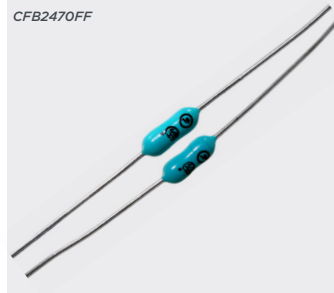


# 2.4x7mm micro miniature very fast acting axial fuses

## Product overview

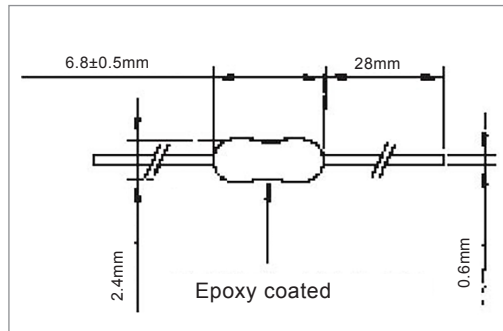
- Very fast acting/quick blow
- Bandoliered
- Excellent I<sup>2</sup>T characteristics)
- Break capacity  
50A/125VAC-100mA-2.5A  
35A/125VAC-3.15A-7A  
100A/16VAC-12A-20A
-  , TUV approved  
100mA-2.5A, 3.15mA-7A



SPECIFICATION	
Materials	Epoxy coated body
Interrupt current	50Amp@250Vac
Operating temperature	-55°C to 125°C
Soldering conditions	350°C for 35 sec max
Solder leads	Tin plated copper
Electrical characteristics	100% 4 hours min blowing 200% 60 sec max blowing


PART NO.	RATING
CFB2470FF/375	375mA
CFB2470FF/400	400mA
CFB2470FF/500	500mA
CFB2470FF/600	600mA
CFB2470FF/630	630mA
CFB2470FF/700	700mA
CFB2470FF/750	750mA
CFB2470FF/800	800mA
CFB2470FF/1	1A
CFB2470FF/1.2	1.2A
CFB2470FF/1.25	1.25A
CFB2470FF/1.5	1.5A

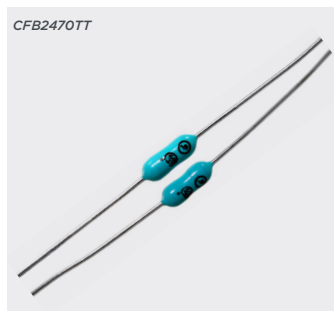
PART NO.	RATING
CFB2470FF/1.6	1.6A
CFB2470FF/2	2A
CFB2470FF/2.25	2.25A
CFB2470FF/2.5	2.5A
CFB2470FF/3	3A
CFB2470FF/3.15	3.15A
CFB2470FF/3.5	3.5A
CFB2470FF/4	4A
CFB2470FF/5	5A
CFB2470FF/6	6A
CFB2470FF/6.3	6.3A
CFB2470FF/7	7A



# 2.4x7mm micro miniature slow blow/time delay axial fuses

## Product overview

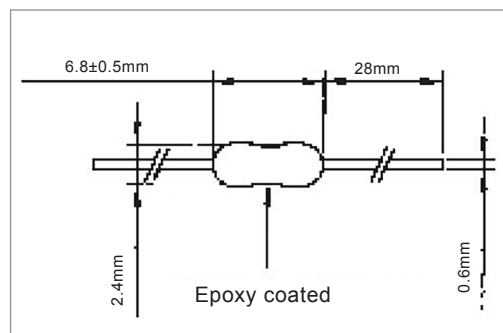
- Slow blow/time delay
- Bandoliered
- Excellent I<sup>2</sup>T characteristics)
- Break capacity  
50A/125VAC-100mA-2.5A  
35A/125VAC-4A-6.3A  
100A/16VAC-12A-20A
-  , TUV, approved 100mA-2.5A, 3.15mA-6.3A



SPECIFICATION	
Materials	Epoxy coated body
Interrupt current	50Amp@250Vac
Operating temperature	-55°C to 125°C
Soldering conditions	350°C for 35 sec max
Solder leads	Tin plated copper
Electrical characteristics	100% 4 hours min blowing 200% 60 sec max blowing, 1 sec min 300% 0.2 sec min, 3 sec max 800% 0.01 sec min, 0.1 sec max

PART NO.	RATING
CFB2470TT/375	375mA
CFB2470TT/400	400mA
CFB2470TT/500	500mA
CFB2470TT/600	600mA
CFB2470TT/630	630mA
CFB2470TT/750	750mA
CFB2470TT/800	800mA
CFB2470TT/1	1A
CFB2470TT/1.2	1.2A
CFB2470TT/1.25	1.25A
CFB2470TT/1.5	1.5A
CFB2470TT/1.6	1.6A
CFB2470TT/2	2A

PART NO.	RATING
CFB2470TT/2.5	2.5A
CFB2470TT/3	3A
CFB2470TT/3.15	3.15A
CFB2470TT/3.5	3.5A
CFB2470TT/4	4A
CFB2470TT/5	5A
CFB2470TT/6	6A
CFB2470TT/6.3	6.3A
CFB2470TT/7	7A



PROTECT