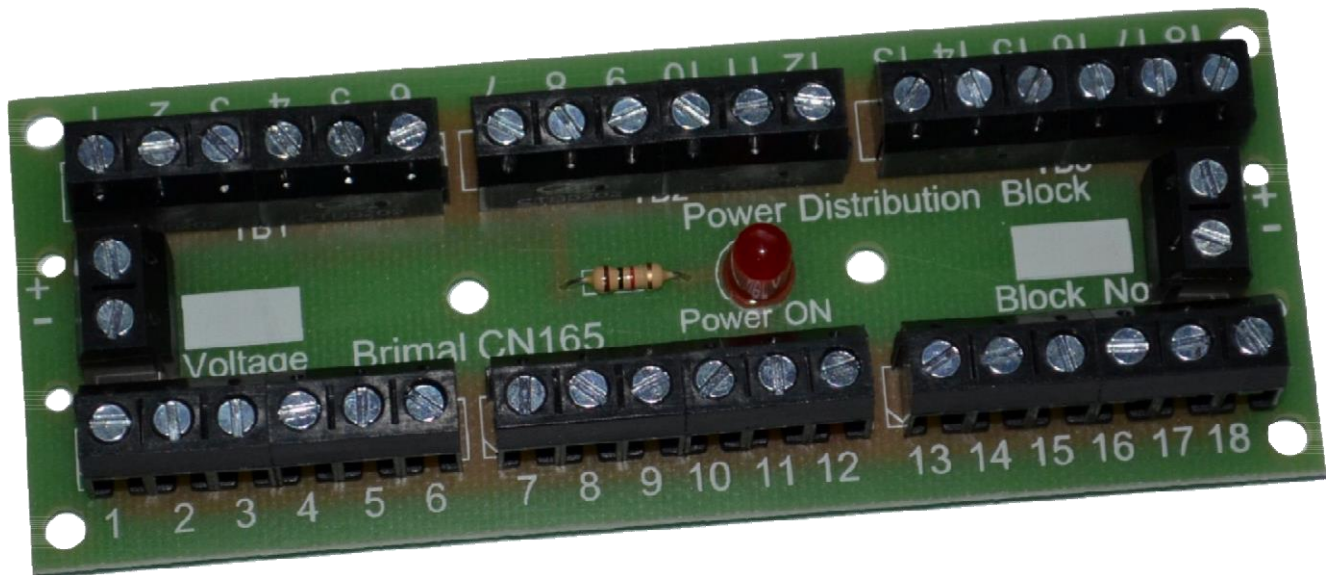
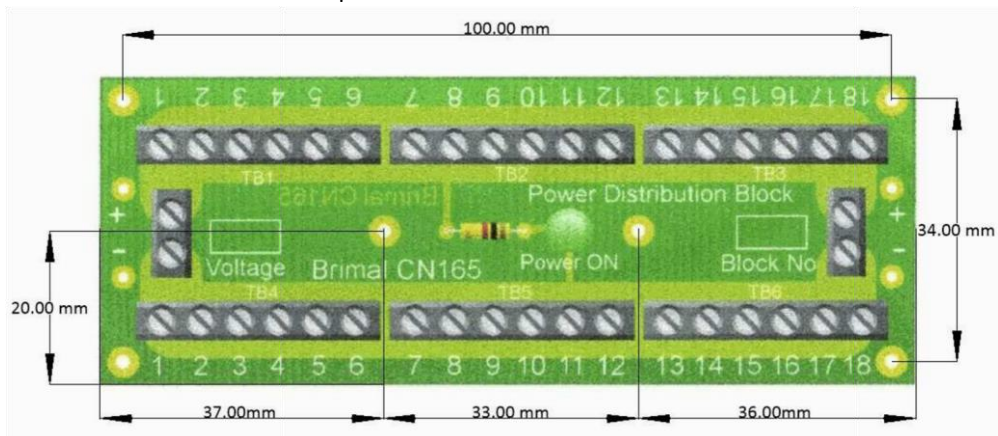


CN165 Power Distribution Board

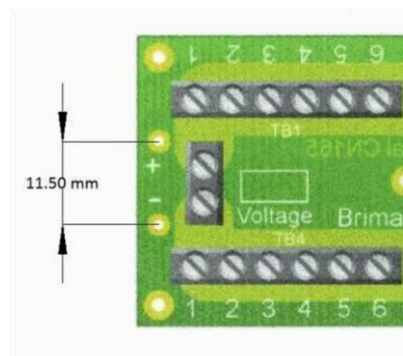
The new Power Distribution Board with 18 Positive and 18 Negative Terminals (Especially for those who don't like to solder). Input terminal will handle up to 15 Amps, the board can be used for 230v AC or DC voltages. Write on patch for board Voltage and board No. An LED indicates that power is On the distribution board. There are 6 Fixing holes available and cable tie holes also available for Input cables.



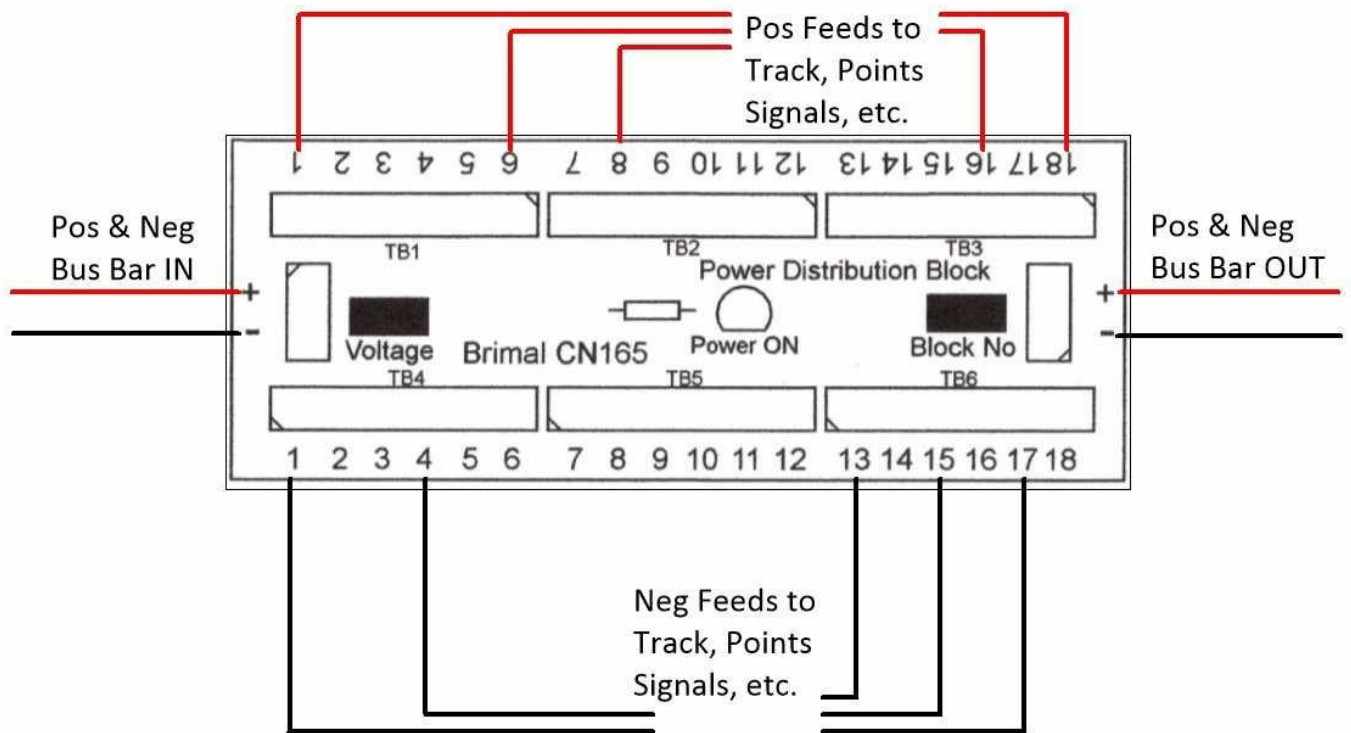
Fixing holes are 3.5mm diameter so will accept M3 screws.



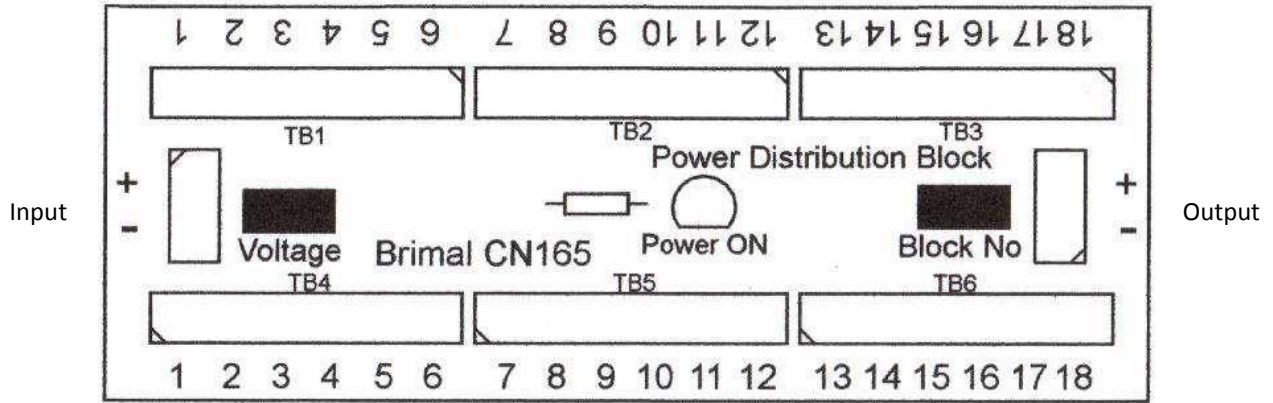
The two holes at each end are for cable ties to secure the input cable
The cable ties to use are CB869, they are 2.4mm wide And 100mm long.



This drawing shows how the CN165 can be used as a distribution point in a Bus Bar system. The Bus Bar comes in on the left and goes out on the right, with 18 spur off points now available, to feed all the equipment in that area of your Layout.



See below for Terminal record.



Positive

Negative

Board No:	Board Voltage:
------------------	-----------------------

Input	Colour	Description	Description	Colour	Output
+ Positive In					+ Positive out
- Negative In					- Negative out
Terminal No Positive Side	Colour	Description	Description	Colour	Terminal No Negative Side
1					1
2					2
3					3
4					4
5					5
6					6
7					7
8					8
9					9
10					10

11					11
12					12
13					13
14					14
15					15
16					16
17					17
18					18

Brimal Consultants Ltd trading as BRIMAL COMPONENTS.
60 Lawson Road, Seaton Carew, Cleveland, TS25 1AL
Telephone: 01429 297 277. Email Andrew@brimal.co.uk