


CAMBLOCK PLUS

7.5mm & 7.62mm Pitch Pluggable Rising Clamp Terminal Blocks

- 2-12 pole solid block
- Pluggable male-female connectors
- Open & closed headers
- Horizontal female plug style
- Polarised mouldings
- Moulded in green UL94-V0 flame retardant PA66
- Professional rising clamp terminals
- 1.5mm² (28-14AWG) solid & stranded cable
- Anti solder wicking
- Captive screws
- Guided pin alignment
-  approved

SPECIFICATION

| | |
|---------------------------|------------------------------|
| Rating | 15A/300V |
| Insulation resistance | 500MΩ/500V |
| Withstand Voltage | AC2000V/1min |
| Contact Resistance | 20mΩ (max) |
| Working Temperature | -40°C to 105+°C |
| Mouldings | UL94-V0 Flame retardant PA66 |
| Pin/Terminal | Brass, Tin plated |
| Rising Clamp | Brass, nickel plated |
| Screw/Torque | M3 Steel, zinc plated 0.5Nm |
| Recommended PCB hole size | ø1.7mm |

PCB
TERMINAL
BLOCKS

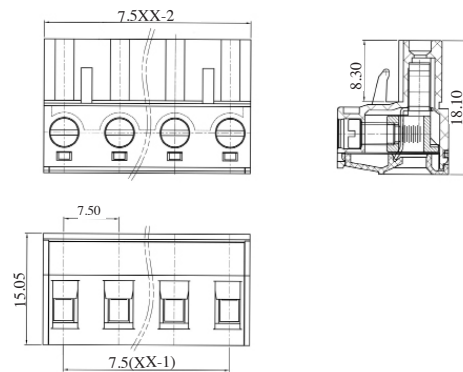
7.5mm

| TYPE NO. | POLES | LENGTH |
|-------------|-------|--------|
| CTBP9400/2 | 2 | 13mm |
| CTBP9400/3 | 3 | 20.5mm |
| CTBP9400/4 | 4 | 28mm |
| CTBP9400/5 | 5 | 35.5mm |
| CTBP9400/6 | 6 | 43mm |
| CTBP9400/7 | 7 | 50.5mm |
| CTBP9400/8 | 8 | 58mm |
| CTBP9400/9 | 9 | 65.5mm |
| CTBP9400/10 | 10 | 73mm |
| CTBP9400/11 | 11 | 80.5mm |
| CTBP9400/12 | 12 | 88mm |

7.62mm

| TYPE NO. | POLES | LENGTH |
|-------------|-------|--------|
| CTBP9408/2 | 2 | 13.2mm |
| CTBP9408/3 | 3 | 20.9mm |
| CTBP9408/4 | 4 | 28.5mm |
| CTBP9408/5 | 5 | 36.1mm |
| CTBP9408/6 | 6 | 43.7mm |
| CTBP9408/7 | 7 | 51.3mm |
| CTBP9408/8 | 8 | 59mm |
| CTBP9408/9 | 9 | 66.6mm |
| CTBP9408/10 | 10 | 74.2mm |
| CTBP9408/11 | 11 | 81.8mm |
| CTBP9408/12 | 12 | 89.4mm |

CTBP9400



PCB mounting male vertical (closed ended)

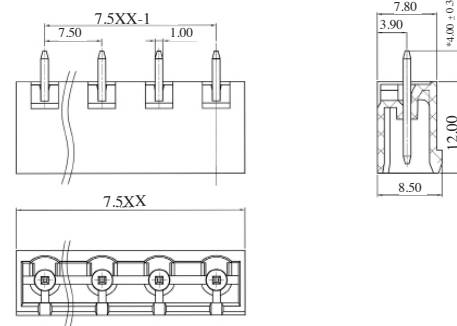
7.5mm

| TYPE NO. | POLES | LENGTH |
|-------------|-------|--------|
| CTBP9500/2 | 2 | 15mm |
| CTBP9500/3 | 3 | 22.5mm |
| CTBP9500/4 | 4 | 30mm |
| CTBP9500/5 | 5 | 37.5mm |
| CTBP9500/6 | 6 | 45mm |
| CTBP9500/7 | 7 | 52.5mm |
| CTBP9500/8 | 8 | 60mm |
| CTBP9500/9 | 9 | 67.5mm |
| CTBP9500/10 | 10 | 75mm |
| CTBP9500/11 | 11 | 82.5mm |
| CTBP9500/12 | 12 | 90mm |

7.62mm

| TYPE NO. | POLES | LENGTH |
|-------------|-------|--------|
| CTBP9508/2 | 2 | 15.2mm |
| CTBP9508/3 | 3 | 22.8mm |
| CTBP9508/4 | 4 | 30.4mm |
| CTBP9508/5 | 5 | 38.1mm |
| CTBP9508/6 | 6 | 45.7mm |
| CTBP9508/7 | 7 | 53.3mm |
| CTBP9508/8 | 8 | 60.9mm |
| CTBP9508/9 | 9 | 68.6mm |
| CTBP9508/10 | 10 | 76.2mm |
| CTBP9508/11 | 11 | 83.8mm |
| CTBP9508/12 | 12 | 91.4mm |

CTBP9500



PCB mounting male horizontal (closed ended)

7.5mm

| TYPE NO. | POLES | LENGTH |
|-------------|-------|--------|
| CTBP9550/2 | 2 | 15mm |
| CTBP9550/3 | 3 | 22.5mm |
| CTBP9550/4 | 4 | 30mm |
| CTBP9550/5 | 5 | 37.5mm |
| CTBP9550/6 | 6 | 45mm |
| CTBP9550/7 | 7 | 52.5mm |
| CTBP9550/8 | 8 | 60mm |
| CTBP9550/9 | 9 | 67.5mm |
| CTBP9550/10 | 10 | 75mm |
| CTBP9550/11 | 11 | 82.5mm |
| CTBP9550/12 | 12 | 90mm |

7.62mm

| TYPE NO. | POLES | LENGTH |
|-------------|-------|--------|
| CTBP9558/2 | 2 | 15.2mm |
| CTBP9558/3 | 3 | 22.8mm |
| CTBP9558/4 | 4 | 30.4mm |
| CTBP9558/5 | 5 | 38.1mm |
| CTBP9558/6 | 6 | 45.7mm |
| CTBP9558/7 | 7 | 53.3mm |
| CTBP9558/8 | 8 | 60.2mm |
| CTBP9558/9 | 9 | 68.5mm |
| CTBP9558/10 | 10 | 76.2mm |
| CTBP9558/11 | 11 | 83.8mm |
| CTBP9558/12 | 12 | 91.4mm |

CTBP9550

