


# CAMBLOCK PLUS

## 7.5mm & 7.62mm Pitch Pluggable Rising Clamp Terminal Blocks

- 2-12 pole solid block
- Pluggable male-female connectors
- Open & closed headers
- Horizontal female plug style
- Polarised mouldings
- Moulded in green UL94-V0 flame retardant PA66
- Professional rising clamp terminals
- 1.5mm<sup>2</sup> (28-14AWG) solid & stranded cable
- Anti solder wicking
- Captive screws
- Guided pin alignment
-  approved

### SPECIFICATION

Rating	UL=15A/300V, VDE=20A/450V
Insulation resistance	500MΩ/500V
Withstand Voltage	AC2000V/1min
Contact Resistance	20mΩ (max)
Working Temperature	-40°C to 105+°C
Mouldings	UL94-V0 Flame retardant PA66
Pin/Terminal	Brass, Tin plated
Rising Clamp	Brass, nickel plated
Screw/Torque	M3 Steel, zinc plated 0.5Nm
Recommended PCB hole size	ø1.7mm

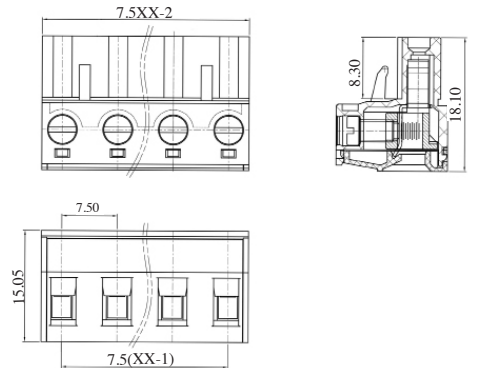
### 7.5mm

TYPE NO.	POLES	LENGTH
CTBP9400/2	2	13mm
CTBP9400/3	3	20.5mm
CTBP9400/4	4	28mm
CTBP9400/5	5	35.5mm
CTBP9400/6	6	43mm
CTBP9400/7	7	50.5mm
CTBP9400/8	8	58mm
CTBP9400/9	9	65.5mm
CTBP9400/10	10	73mm
CTBP9400/11	11	80.5mm
CTBP9400/12	12	88mm

### 7.62mm

TYPE NO.	POLES	LENGTH
CTBP9408/2	2	13.2mm
CTBP9408/3	3	20.9mm
CTBP9408/4	4	28.5mm
CTBP9408/5	5	36.1mm
CTBP9408/6	6	43.7mm
CTBP9408/7	7	51.3mm
CTBP9408/8	8	59mm
CTBP9408/9	9	66.6mm
CTBP9408/10	10	74.2mm
CTBP9408/11	11	81.8mm
CTBP9408/12	12	89.4mm

CTBP9400



### PCB mounting male vertical (closed ended)

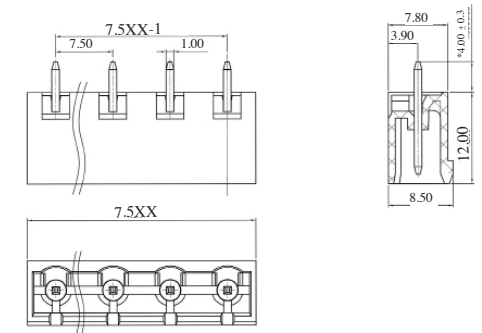
#### 7.5mm

TYPE NO.	POLES	LENGTH
CTBP9500/2	2	15mm
CTBP9500/3	3	22.5mm
CTBP9500/4	4	30mm
CTBP9500/5	5	37.5mm
CTBP9500/6	6	45mm
CTBP9500/7	7	52.5mm
CTBP9500/8	8	60mm
CTBP9500/9	9	67.5mm
CTBP9500/10	10	75mm
CTBP9500/11	11	82.5mm
CTBP9500/12	12	90mm

#### 7.62mm

TYPE NO.	POLES	LENGTH
CTBP9508/2	2	15.2mm
CTBP9508/3	3	22.8mm
CTBP9508/4	4	30.4mm
CTBP9508/5	5	38.1mm
CTBP9508/6	6	45.7mm
CTBP9508/7	7	53.3mm
CTBP9508/8	8	60.9mm
CTBP9508/9	9	68.6mm
CTBP9508/10	10	76.2mm
CTBP9508/11	11	83.8mm
CTBP9508/12	12	91.4mm

CTBP9500



### PCB mounting male horizontal (closed ended)

#### 7.5mm

TYPE NO.	POLES	LENGTH
CTBP9550/2	2	15mm
CTBP9550/3	3	22.5mm
CTBP9550/4	4	30mm
CTBP9550/5	5	37.5mm
CTBP9550/6	6	45mm
CTBP9550/7	7	52.5mm
CTBP9550/8	8	60mm
CTBP9550/9	9	67.5mm
CTBP9550/10	10	75mm
CTBP9550/11	11	82.5mm
CTBP9550/12	12	90mm

#### 7.62mm

TYPE NO.	POLES	LENGTH
CTBP9558/2	2	15.2mm
CTBP9558/3	3	22.8mm
CTBP9558/4	4	30.4mm
CTBP9558/5	5	38.1mm
CTBP9558/6	6	45.7mm
CTBP9558/7	7	53.3mm
CTBP9558/8	8	60.2mm
CTBP9558/9	9	68.5mm
CTBP9558/10	10	76.2mm
CTBP9558/11	11	83.8mm
CTBP9558/12	12	91.4mm

CTBP9550

