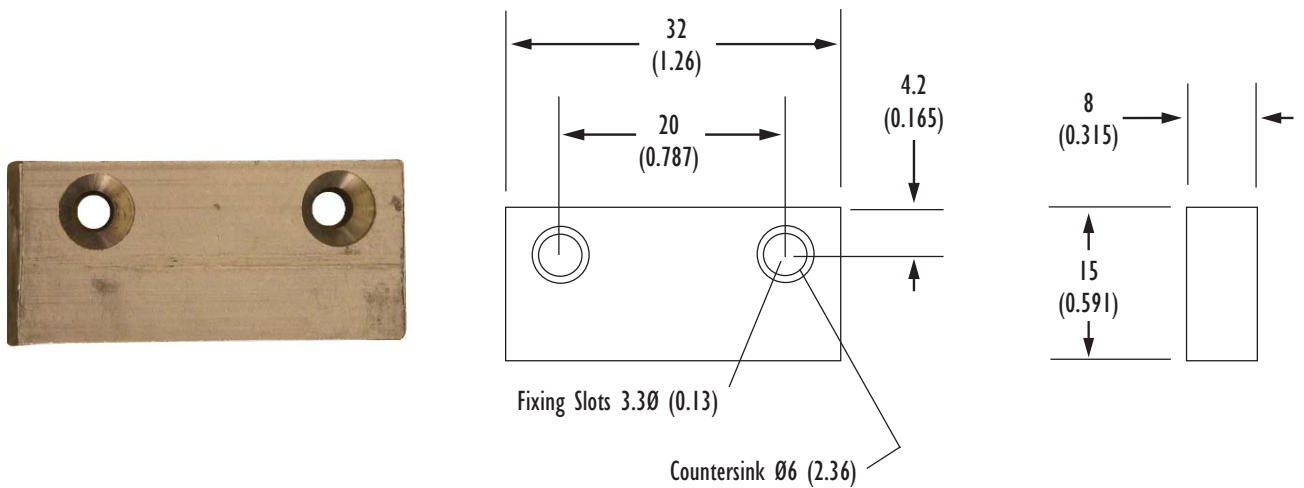


Product Data Sheet

Part Number : CTCM

Rectangular Cased Magnet

**PICTURE** **DIMENSIONS**



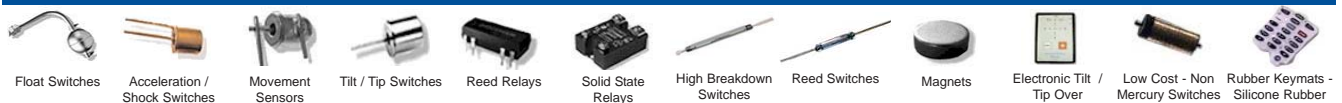
Drawings not to scale  
All dimensions in mm(inches) nominal

**SPECIFICATIONS**

Style	Rectangular
Length	32 mm (1.260 in)
Height	8 mm (.315 in)
Width	15 mm (.591 in)
Case Material	Aluminium

REV. NO.	REVISION NOTE	DATE	SIGNATURE
-	Original	May 07, 2008	LG

**Take a look at our variety of products**



FORM AE043 ISS.2



As part of the company policy of continued product improvement, specifications may change without notice. Our sales office will be pleased to help you with the latest information on this product range and the details of our full design and manufacturing service. All products are supplied to our standard conditions of sale unless otherwise agreed in writing.

©2008 Copyright Comus International Inc. Website: [www.comus-intl.com](http://www.comus-intl.com)  
 Assemtech Europe Ltd, Unit 7, Rice Bridge Industrial Estate, Thorpe - Le - Soken, Essex, CO16 0HL, ENGLAND.  
 Phone: +44 (0)1255 862236 Fax: +44 (0)1255 862014 Website: [www.assemtech.co.uk](http://www.assemtech.co.uk)  
 USA: + 1 973 777 6900 - Belgium: + 32 (0)12 390400 - France: + 33 (0) 1 43 96 86 10