
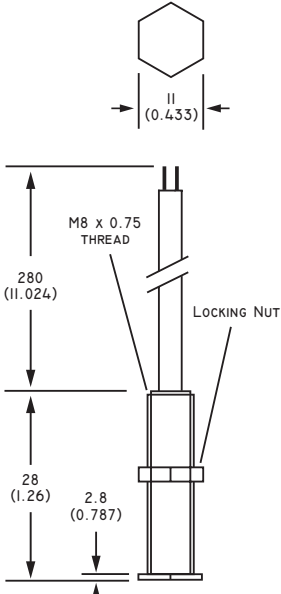


Part Number : CTI302
Economy Proximity Switch
Normally Open Contacts - Suggested Magnet: CTI302M
Product Data Sheet

PICTURE	DIMENSIONS	APPLICATIONS
	 <p>Drawings not to scale All dimensions in mm(inches) nominal</p>	<ul style="list-style-type: none"> ● Position and limit sensing. ● Linear actuators. ● Door and window security.
OPTIONS		<ul style="list-style-type: none"> ● Case material. ● Sensitivity / Switching distance ● Custom cable lengths, strip lengths, insulation and terminations. ● Thread Size. ● If you do not see what you need, just ask, as there is a strong possibility we can do it !

✓ RoHS Compliant

SPECIFICATIONS	
Contact Form	Normally Open
Style	Threaded (M8 Thread)
Switching Capacity	10 W/VA Max.
Switching Voltage	200 VDC/AC Max.
Switching Current	0.5 A. Max.
Contact Resistance	200 mOhms. Max.
Switching Distance	10 mm Min.
Operating Temperature Range	-20°C +85°C
Case Material	Brass
Cable	2 x Round 0.14 mm ² (#16 AWG) PVC covered Grey and insulated Brown / White

REV. NO.	REVISION NOTE	DATE	SIGNATURE
2	Datasheet Redesign	19-12-06	LG

Take a look at our variety of products



Float Switches



Acceleration / Shock Switches



Movement Sensors



Tilt / Tip Switches



Reed Relays



Solid State Relays



High Breakdown Switches



Reed Switches



Magnets



Electronic Tilt / Tip Over



Low Cost - Non Mercury Switches



Rubber Keypads - Silicone Rubber

FORM AE043 ISS.2 As part of the company policy of continued product improvement, specifications may change without notice. Our sales office will be pleased to help you with the latest information on this product range and the details of our full design and manufacturing service. All products are supplied to our standard conditions of sale unless otherwise agreed in writing.



Phone : +44 (0)1255 862236 **www.assemtech.co.uk** **Fax: +44 (0)1255 862014**

©2006 Copyright Assemtech Europe Ltd, Unit 7, Rice Bridge Industrial Estate, Thorpe - Le - Soken, Essex, CO16 0HL, ENGLAND.
 USA: + 1 973 777 6900 - Belgium: + 32 (0)12 390400 - France: + 33 (0) 1 43 96 86 10