



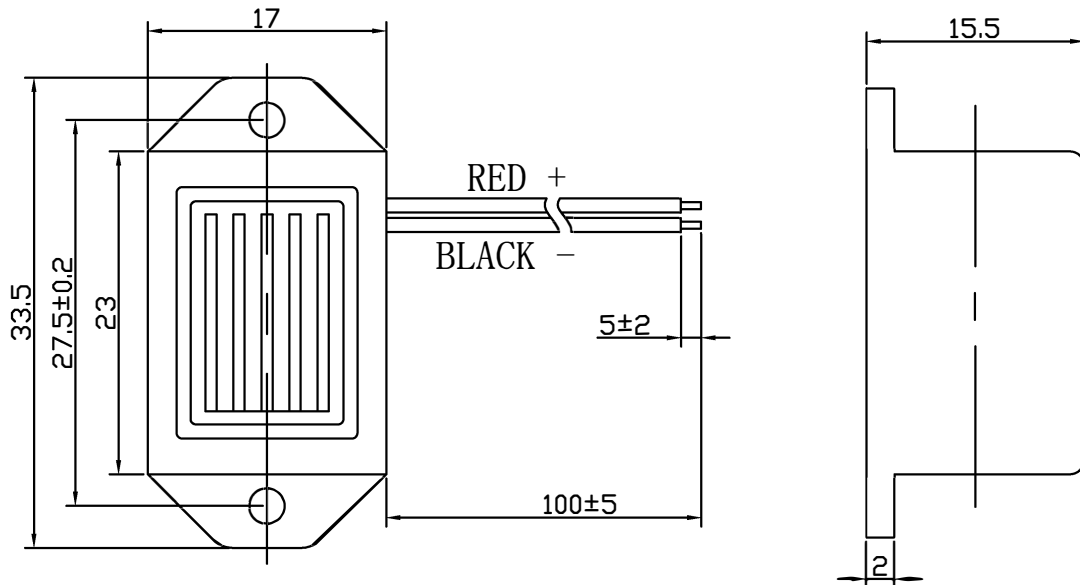
SPECIFICATION SHEET

ELECTRICAL SPECIFICATIONS:

Type	Unit	EMB-2301L	EMB-2303L	EMB-2306L	EMB-2309L	EMB-2312L	EMB-2324L
Rated voltage	V	1.5	3	6	9	12	24
Operating Voltage	V	1.2-3	2-4	4-8	6-12	9-15	15-27
*Rated Current (MAX)	mA	20	25	25	25	25	30
* Min Sound Output at 20 cm	dB	70	70	75	75	75	75
*Resonant Frequency	Hz	400±100					
Tone Nature		single					
Lead Wire/Lead pin material		AWG26# UL1095 lead wire					
Operating Temperature	° C	-10~+60					
Storage Temperature	° C	-10~+70					
Weight	g	10					

*Value Applying at Rated Voltage (DC).

DIMENSIONS UNIT:mm Tolerance: ±0.5mm



ABS Housing Material

				EMB-23XXL		Page 1/1	
	NAME	DATE					
Drawing by							
Checked by							
Approved by							
					JPR ELECTRONICS CO., LTD.		