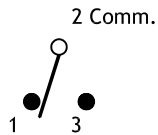
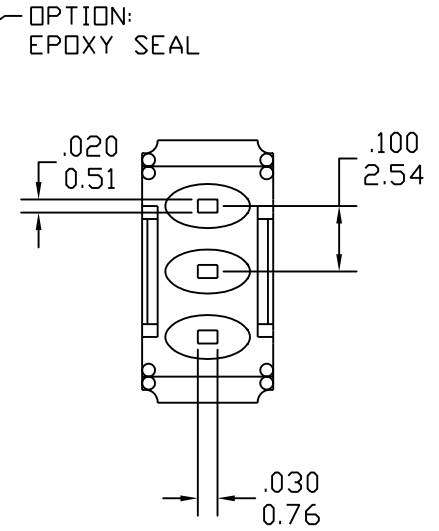
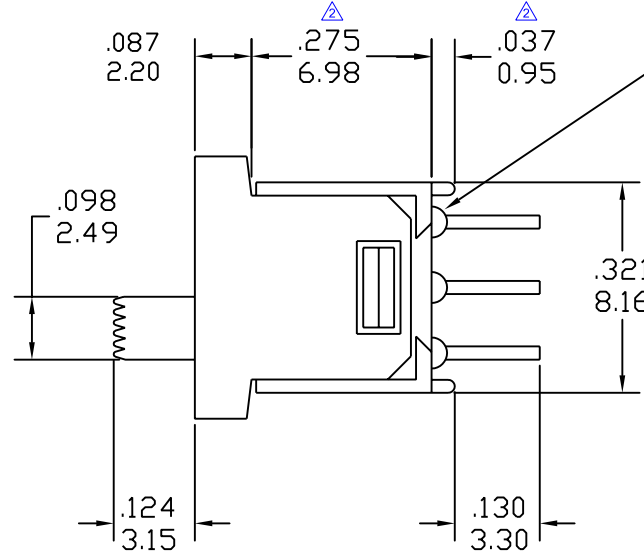
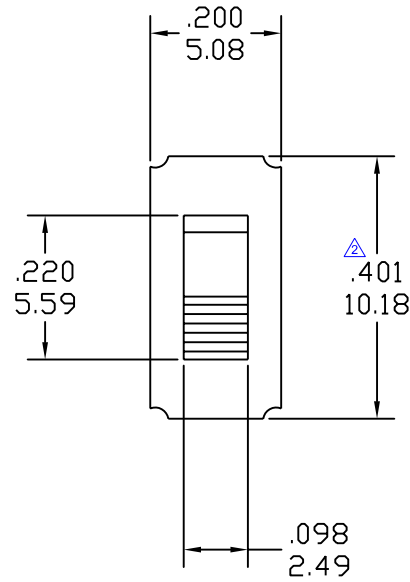
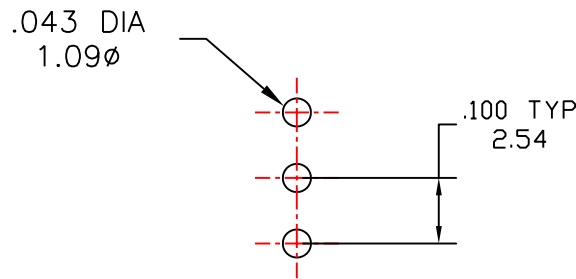


TS-4S DIMENSIONS



Schematic

P.C.MOUNTING



Model No.	Switching Position		
TS-4S	ON	NONE	ON
TS-4AS	ON	OFF	ON
Term. Comm.	2-1	OPEN	2-3

2	2	更正3個尺寸		07.10.19	General Tolerance		Part no. TS-4S	SH 興瀚企業股份有限公司 SALECOM. ELECTRONICS CO., LTD.	Approved		
					Range	Tolerance					Dwg no. SWTS-4S-001
1	1	重新量測出圖		06.10.25	0 ~ 1	±0.10	Part Name.	Scale 4:1		Drawer	
	0			02.03.01	1 ~ 4	±0.20	TS40-S/SPDT Sub-miniature Slide Switches	Unit m/m (inch)	Rev. 2	Date	2007.10.19
Zone	Rev.	Description	Reviser	Date	4 ~ 16	±0.30					