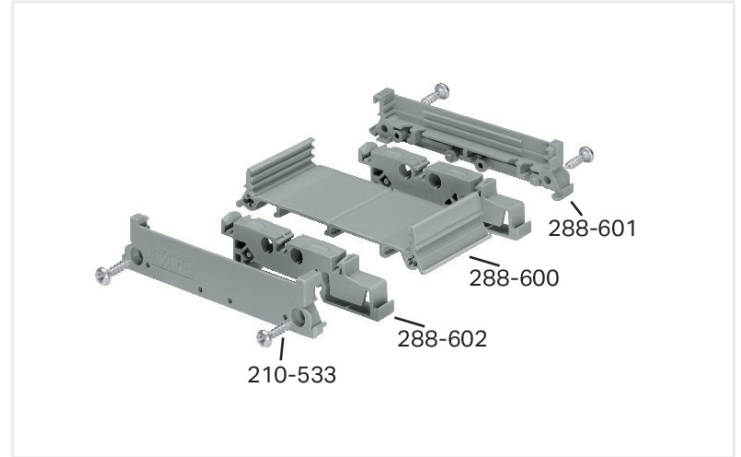
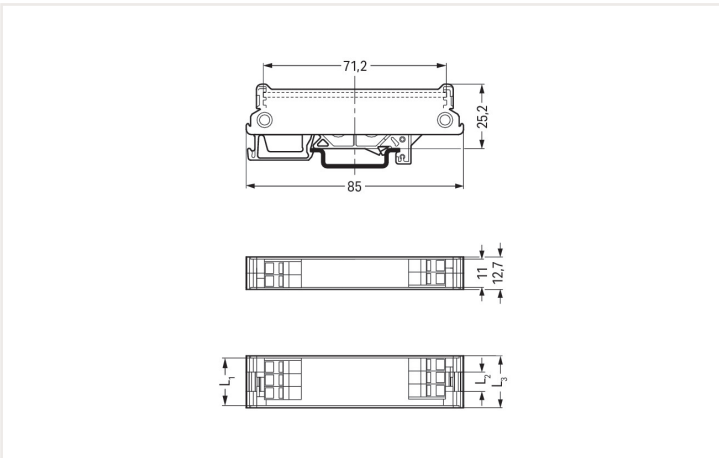


Data sheet | Item number: 288-601  
Lateral cover; Size 1; small; 6.35 mm thick; gray

<https://www.wago.com/288-601>



DIN-rail-mount PCB carrier, size 1



Dimensions in mm

L1 = PCB length

L2 = L1 - 11 mm (L2 = carrier base length)

L3 = L1 + 2 mm

DIN-rail mount PCB carrier, size 1 – lateral cover, size 1; small; 6.35 mm thick

#### Physical data

Width	6.35 mm / 0.25 inches
Height	85 mm / 3.346 inches

#### Mechanical data

Mounting type	DIN-35 rail
---------------	-------------

#### Material data

Color	gray
Fire load	0.102 MJ
Weight	3.4 g

## Commercial data

Product Group	6 (Interface Electronics)
eCl@ss 10.0	27-18-27-02
eCl@ss 9.0	27-18-27-02
ETIM 8.0	EC001031
ETIM 7.0	EC001031
PU (SPU)	24 (1) Stück
Packaging type	Box
Country of origin	DE
GTIN	4017332612180
Customs tariff number	39269097900

## Downloads

### Environmental Product Compliance

#### Compliance Search

Environmental Product  
Compliance 288-601



## CAD/CAE-Data

### CAD data

2D/3D Models 288-601



### CAE data

WSCAD Universe  
288-601



ZUKEN Portal 288-601



## 1 Compatible products

### 1.1 Optional accessories

#### 1.1.1 Installation

##### 1.1.1.1 Mounting accessories



[Item no.: 210-533](#)

Phillips screw 2.9 x 13

##### 1.1.1.2 Mounting carrier and mounting feet

[Item no.: 288-602](#)

Fixing foot for DIN 35 rail; gray

[Item no.: 288-600](#)

Track section; Size 1; 1 m long; gray