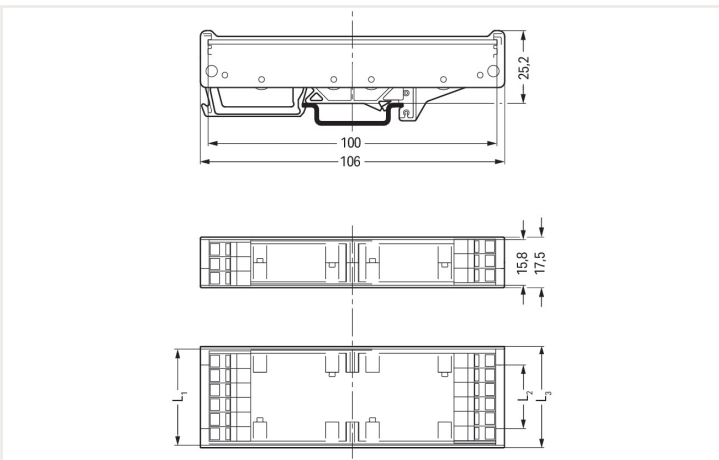


DIN-rail-mount PCB carrier, size 2



Dimensions in mm

L1 = PCB/cover length

L2 = L1 - 15.8 mm (L2 = carrier base length)

L3 = L1 + 2 mm

DIN-rail mount PCB carrier, size 2 – lateral cover, size 2; small; 8.75 mm thick

Physical data	
Width	8.75 mm / 0.344 inches
Height	106 mm / 4.173 inches
Mechanical data	
Mounting type	DIN-35 rail
Material data	
Color	gray
Fire load	0.156 MJ
Weight	5.2 g

Commercial data

Product Group	6 (Interface Electronics)
eCl@ss 10.0	27-18-27-02
eCl@ss 9.0	27-18-27-02
ETIM 8.0	EC001031
ETIM 7.0	EC001031
PU (SPU)	100 (1) Stück
Packaging type	Box
Country of origin	DE
GTIN	4017332639453
Customs tariff number	39269097900

Downloads

Environmental Product Compliance

Compliance Search

Environmental Product
Compliance 288-621



CAD/CAE-Data

CAD data

2D/3D Models 288-621



CAE data

WSCAD Universe
288-621



ZUKEN Portal 288-621



1 Compatible products

1.1 Optional accessories

1.1.1 Installation

1.1.1.1 Mounting accessories



[Item no.: 210-533](#)

Phillips screw 2.9 x 13

1.1.1.2 Mounting carrier and mounting feet

[Item no.: 288-620](#)

Track section; Size 2; 1 m long; gray

[Item no.: 288-620/024-000](#)

Track section; Size 2; gray