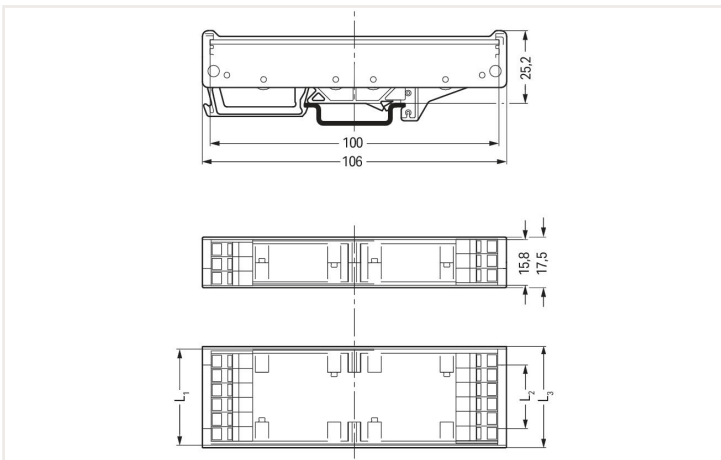


DIN-rail-mount PCB carrier, size 2



Dimensions in mm

L1 = PCB/cover length

L2 = L1 - 15.8 mm (L2 = carrier base length)

L3 = L1 + 2 mm

DIN-rail-mount PCB carrier, size 2 – mounting foot for DIN-35 rail

Mechanical data	
Mounting type	DIN-35 rail

Material data	
Color	gray
Fire load	0.157 MJ
Weight	5.3 g

Commercial data

Product Group	6 (Interface Electronics)
eCl@ss 10.0	27-18-27-02
eCl@ss 9.0	27-18-27-02
ETIM 8.0	EC001031
ETIM 7.0	EC001031
PU (SPU)	100 (1) Stück
Packaging type	Box
Country of origin	DE
GTIN	4017332639460
Customs tariff number	39269097900

Downloads

Environmental Product Compliance

Compliance Search

Environmental Product
Compliance 288-622



CAD/CAE-Data

CAD data

2D/3D Models 288-622



CAE data

WSCAD Universe
288-622



ZUKEN Portal 288-622



1 Compatible products

1.1 Optional accessories

1.1.1 Installation

1.1.1.1 Mounting accessories



[Item no.: 210-533](#)

Phillips screw 2.9 x 13

1.1.1.2 Mounting carrier and mounting feet

[Item no.: 288-620](#)

Track section; Size 2; 1 m long; gray

[Item no.: 288-620/024-000](#)

Track section; Size 2; gray