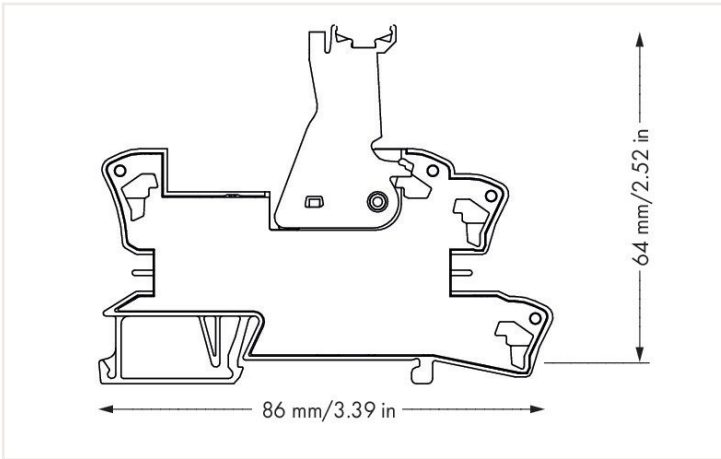
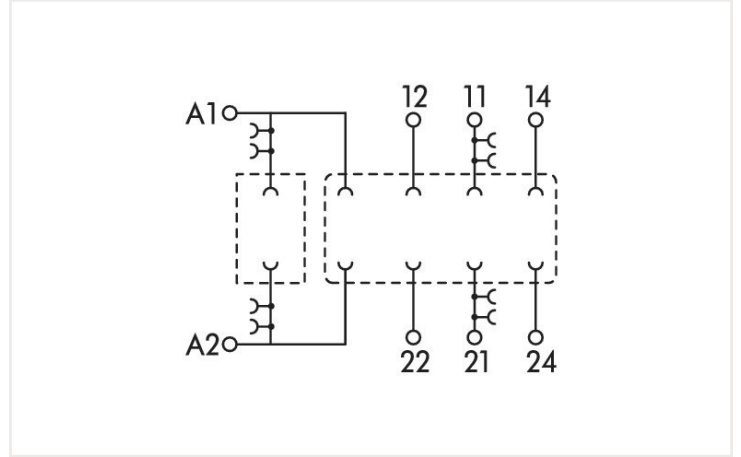
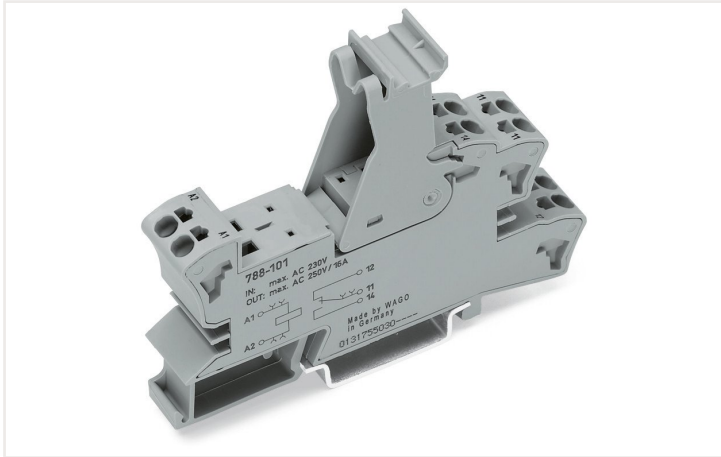


**Data sheet | Item number: 788-103**

Relay socket; 2 changeover contacts; for 25 mm basic relays; gray



<https://www.wago.com/788-103>



Dimensions in mm

## Notes

Note	The specified technical data are maximum values. They may be limited by the accessories used.
------	---

## Technical data

### Control circuit

Nominal input voltage $U_N$	AC/DC 230 V
Input voltage range	AC/DC 0 ... 250 V
Nominal frequency range	50 ... 60 Hz

### Load circuit

Number of changeover/switchover contacts	2
Limiting continuous current	8 A
Switching voltage (max.)	AC 300 V
Nominal frequency range	≤60 Hz

## Safety and protection

Rated voltage	300 V
Overvoltage category	II
Pollution degree	3
Dielectric strength (control/load circuit) (AC, 1 min)	6 kVrms
Dielectric strength (open contact) (AC, 1 min)	1 kVrms
Insulation type (control/load circuit)	Reinforced insulation (safe isolation)
Insulation type (load/load circuit)	Basic insulation
Insulation type (between adjacent devices of the same type)	Basic insulation
Protection type	IP20

## Connection data

Connection technology	Push-in CAGE CLAMP®
Solid conductor	0.34 ... 2.5 mm <sup>2</sup> / 22 ... 14 AWG
Fine-stranded conductor	0.34 ... 2.5 mm <sup>2</sup> / 22 ... 14 AWG
Strip length	9 ... 10 mm / 0.35 ... 0.39 inches

## Physical data

Width	25 mm / 0.984 inches
Height	86 mm / 3.386 inches
Depth from upper-edge of DIN-rail	64 mm / 2.52 inches

## Mechanical data

Mounting type	DIN-35 rail
---------------	-------------

## Material data

Color	gray
Fire load	0.636 MJ
Weight	31 g
Relativer Temperaturindex für Kunststoff (RTI gemäß UL)	105 °C

### Environmental requirements

Ambient temperature (operation at U <sub>N</sub> )	-40 ... 70 °C
Surrounding air temperature (storage)	-40 ... +80 °C
Processing temperature	-25 ... +50 °C
Relative humidity	5 ... 95 % (no condensation permissible)
Operating altitude (max.)	2000 m

### Standards and specifications

Standards/specifications	EN 61010-2-201
--------------------------	----------------

### Commercial data

Product Group	6 (Interface Electronics)
eCl@ss 10.0	27-37-16-03
eCl@ss 9.0	27-37-16-03
ETIM 8.0	EC001456
ETIM 7.0	EC001456
PU (SPU)	15 (1) Stück
Packaging type	Box
Country of origin	CN
GTIN	4050821591801
Customs tariff number	85366990990

### Downloads

#### Environmental Product Compliance

##### Compliance Search

Environmental Product  
Compliance 788-103




### Documentation

#### Bid Text

788-103	19.02.2019	xml 3.61 KB	
788-103	20.02.2019	docx 16.05 KB	

#### Instruction Leaflet

Sockets with Elementary Relay/ SSR	V 1.0.1 09.10.2020	pdf 2271.22 KB	
------------------------------------	-----------------------	-------------------	---


### CAD/CAE-Data


#### CAD data

2D/3D Models 788-103



#### CAE data

EPLAN Data Portal  
788-103 

WSCAD Universe  
788-103 

ZUKEN Portal 788-103 

## 1 Compatible products

### 1.1 Optional accessories

#### 1.1.1 Basic relay

##### 1.1.1.1 Basic relay

###### Item no.: 788-181

Basic relay; Nominal input voltage: 230 VAC; 2 changeover contacts; Limiting continuous current: 8 A; with gold contacts; Module width: 13 mm; Module height: 15 mm

#### 1.1.2 Ferrule

##### 1.1.2.1 Ferrule



###### Item no.: 216-241

Ferrule; Sleeve for 0.5 mm<sup>2</sup> / 20 AWG; insulated; electro-tin plated; electrolytic copper; gastight crimped; acc. to DIN 46228, Part 4/09.90; white



###### Item no.: 216-242

Ferrule; Sleeve for 0.75 mm<sup>2</sup> / 18 AWG; insulated; electro-tin plated; electrolytic copper; gastight crimped; acc. to DIN 46228, Part 4/09.90; gray



###### Item no.: 216-243

Ferrule; Sleeve for 1 mm<sup>2</sup> / AWG 18; insulated; electro-tin plated; electrolytic copper; gastight crimped; acc. to DIN 46228, Part 4/09.90; red



###### Item no.: 216-244

Ferrule; Sleeve for 1.5 mm<sup>2</sup> / AWG 16; insulated; electro-tin plated; electrolytic copper; gastight crimped; acc. to DIN 46228, Part 4/09.90; black

###### Item no.: 216-542

Twin ferrule; Sleeve for 2 x 1 mm<sup>2</sup> / AWG 2 x 18; red, insulated; 12 mm long; red

#### 1.1.3 Filter module

##### 1.1.3.1 Suppressor module



###### Item no.: 788-148

Filter module; RC filter element; Nominal voltage: 230 VAC

#### 1.1.4 Indicators

##### 1.1.4.1 Status indication

###### Item no.: 788-124

Accessories for relay modules; Operation status indicator: red

###### Item no.: 788-125

Accessories for relay modules; Operation status indicator: red

###### Item no.: 788-121

Accessories for relay modules; Operation status indicator: red; Nominal operating voltage range: 48 ... 60 VDC

###### Item no.: 788-122

Accessories for relay modules; Operation status indicator: red; Nominal operating voltage: 110 VDC

###### Item no.: 788-123

Accessories for relay modules; Operation status indicator: red; Nominal operating voltage: 24 VAC

###### Item no.: 788-120

Accessories for relay modules; Operation status indicator: red; Nominal operating voltage: 24 VDC

## 1.1.5 Jumper

### 1.1.5.1 Jumper



**Item no.: 788-118**

Jumper; for jumper slot; 2-way; from 1 to 3; insulated; light gray



**Item no.: 788-113**

Jumper; for jumper slot; 2-way; insulated; light gray



**Item no.: 859-402**

Jumper; for jumper slot; 2-way; insulated; light gray



**Item no.: 788-114**

Jumper; for jumper slot; 3-way; insulated; light gray



**Item no.: 788-115**

Jumper; for jumper slot; 4-way; insulated; light gray



**Item no.: 788-116**

Jumper; for jumper slot; 6-way; insulated; light gray



**Item no.: 788-117**

Jumper; for jumper slot; 8-way; insulated; light gray

## 1.1.6 Marking

### 1.1.6.1 Double marker carrier



**Item no.: 209-128**

Adaptor; gray

### 1.1.6.2 Group marker carrier



**Item no.: 249-105**

Group marker carrier; gray



**Item no.: 209-145**

Group marker carrier; white

### 1.1.6.3 Marker



**Item no.: 209-183**

Marker card; white



**Item no.: 793-502**

WMB marking card; as card; MARKED; 1 ... 10 (10x); not stretchable; Horizontal marking; snap-on type; white



**Item no.: 793-503**

WMB marking card; as card; MARKED; 11 ... 20 (10x); not stretchable; Horizontal marking; snap-on type; white



**Item no.: 793-504**

WMB marking card; as card; MARKED; 21 ... 30 (10x); not stretchable; Horizontal marking; snap-on type; white



**Item no.: 793-505**

WMB marking card; as card; MARKED; 31 ... 40 (10x); not stretchable; Horizontal marking; snap-on type; white



**Item no.: 793-501**

WMB marking card; as card; not stretchable; plain; snap-on type; white



**Item no.: 2009-115**

WMB-Inline; for Smart Printer; 1500 pieces on roll; stretchable 5 - 5.2 mm; plain; snap-on type; white

### 1.1.6.4 Marking devices



**Item no.: 210-110**

Fiber-tip pen

### 1.1.6.5 Marking strip



**Item no.: 2009-110**

Marking strips; for Smart Printer; on reel; not stretchable; plain; snap-on type; white

### 1.1.6.6 Protective marker cover



Item no.: 209-184

Protection cover; transparent

### 1.1.7 Tool

#### 1.1.7.1 Operating tool



Item no.: 210-720

Operating tool; Blade: 3.5 x 0.5 mm; with a partially insulated shaft; multicoloured