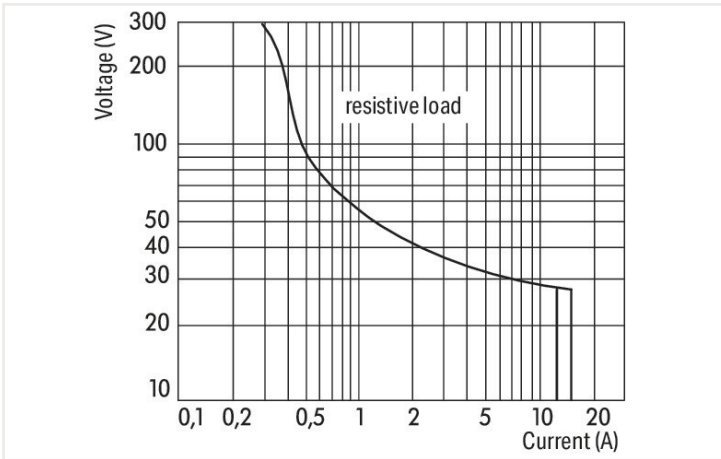
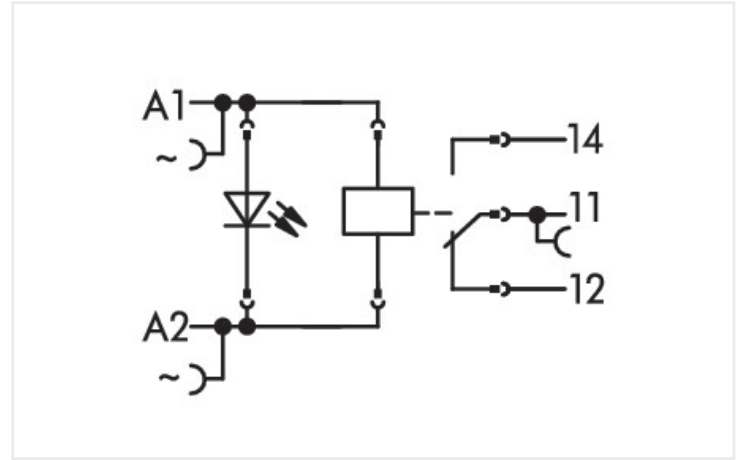
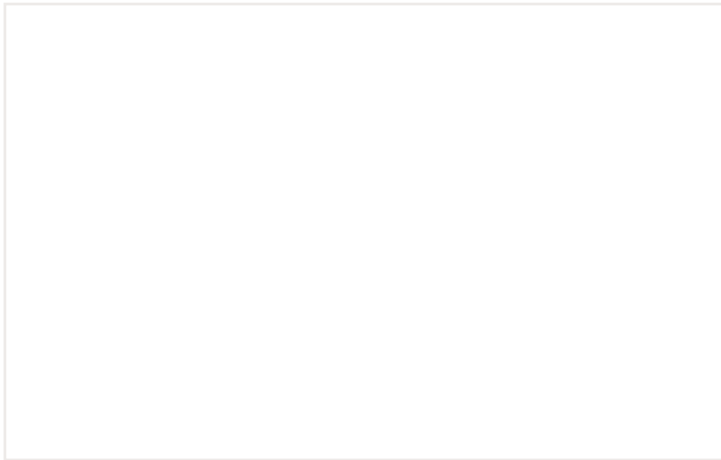


Data sheet | Item number: 788-508

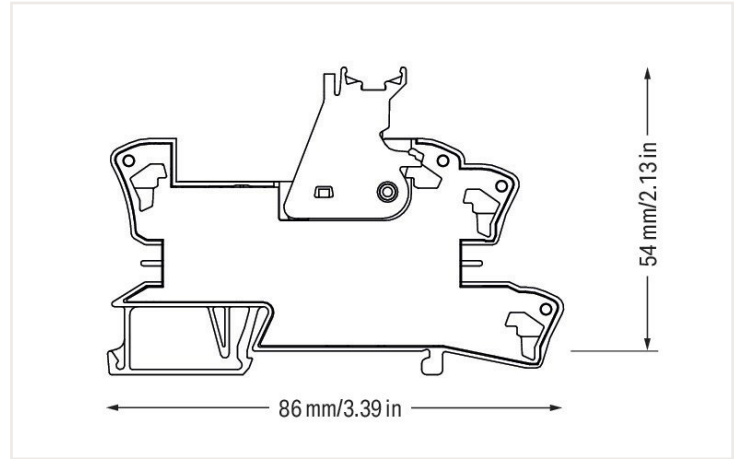
Relay module; Nominal input voltage: 230 VAC; 1 changeover contact; Limiting continuous current: 16 A; Red status indicator; Module width: 15 mm; 2,50 mm²; gray



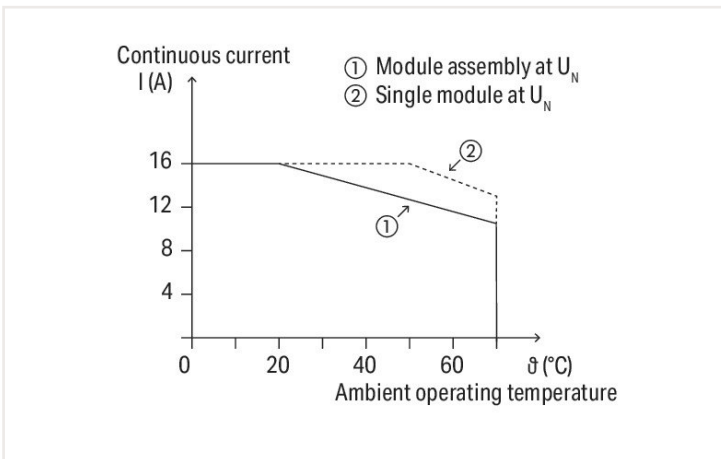
<https://www.wago.com/788-508>



DC load limit curve



Dimensions in mm



Current-carrying capacity curve

Notes

Safety information 1	A separator plate (e.g., 209-191) must be used for voltages greater than 250 V between adjacent relay modules and for compliance with the reinforced insulation requirements.
Note	<ul style="list-style-type: none"> Reinforced insulation between coil and contacts To protect the relay coils and contacts, inductive loads must be dampened with an effective protection circuit.

Technical data

Control circuit

Nominal input voltage U_N	AC 230 V
Input voltage range	$\pm 10\%$
Nominal input current at U_N	3.5 mA

Load circuit

Number of changeover/switchover contacts	1
Contact material (relay)	AgNi 90/10
Limiting continuous current	16 A
Inrush current (resistive) max.	(AC) 30 A / 4 s
Switching voltage (max.)	AC 250 V
Switching power (resistive) max.	AC 4000 VA; DC (see load limit curve)
Switching capacity	AC-15: 6 A / AC 250 V; DC-13: 2 A / DC 24 V
Recommended minimum load	12 V / 10 mA
Pull-in time (typ.)	10 ms
Drop-out time (typ.)	35 ms
Bounce time (typ.)	6 ms
Electrical life (NO; resistive load; 23 °C)	30×10^9 switching operations
Mechanical life	5×10^8 switching operations
Switching frequency with/without load (max.)	6 min^{-1} / 600 min^{-1}

Signaling

Status indicator	Red LED
------------------	---------

Safety and protection

Rated voltage	250 V
Rated surge voltage	4 kV
Pollution degree	3
Dielectric strength (control/load circuit) (AC, 1 min)	5 kVrms
Dielectric strength (open contact) (AC, 1 min)	1 kVrms
Safety information 1	A separator plate (e.g., 209-191) must be used for voltages greater than 250 V between adjacent relay modules and for compliance with the reinforced insulation requirements.
Protection type	IP20

Connection data

Connection technology	Push-in CAGE CLAMP®
Solid conductor	0.34 ... 2.5 mm ² / 22 ... 14 AWG
Fine-stranded conductor	0.34 ... 2.5 mm ² / 22 ... 14 AWG
Strip length	9 ... 10 mm / 0.35 ... 0.39 inches

Physical data

Width	15 mm / 0.591 inches
Height	86 mm / 3.386 inches
Depth from upper-edge of DIN-rail	54 mm / 2.126 inches

Mechanical data

Mounting type	DIN-35 rail
---------------	-------------

Material data

Color	gray
Fire load	0.85 MJ
Weight	46 g

Environmental requirements

Ambient temperature (operation at U_N)	-40 ... 70 °C
Ambient temperature UL (operation at U_N)	-40 ... 40 °C
Surrounding air temperature (storage)	-40 ... +70 °C
Processing temperature	-25 ... +50 °C

Standards and specifications

Standards/specifications	EN 61010-2-201 EN 61810-1 EN 61373 UL 508 (max. 40 °C) DNV
--------------------------	--

Basic relay

WAGO Basic Relay	788-178
------------------	---------

Commercial data

Product Group	6 (Interface Electronics)
eCl@ss 10.0	27-37-16-01
eCl@ss 9.0	27-37-16-01
ETIM 8.0	EC001437
ETIM 7.0	EC001437
PU (SPU)	20 (1) Stück
Packaging type	Box
Country of origin	CN
GTIN	4055143192347
Customs tariff number	85364900990

Approvals and certificates

General approvals



Approval	Standard	Certificate name
EAC Brjansker Zertifizierungsstelle	TP TC 004/2011	EAC RU C-DE.AM02. B.00122/19
UL UL International Netherlands B.V. (ORDINARY LOCATIONS)	UL 508	E175199 Sec.6

Approvals for marine applications



Approval	Standard	Certificate name
DNV GL Det Norske Veritas, Germanischer Lloyd	-	TAA00001D1
PRS Polski Rejestr Statków	-	TE/2186/880590/18

Downloads

Environmental Product Compliance

Compliance Search

Environmental Product Compliance 788-508



Documentation

Bid Text

788-508	19.02.2019	xml 4.61 KB	
788-508	25.01.2019	docx 16.52 KB	

Instruction Leaflet

Sockets with Elementary Relay/ SSR	V 1.0.1 09.10.2020	pdf 2271.22 KB	
------------------------------------	-----------------------	-------------------	--

CAD/CAE-Data

CAD data

2D/3D Models 788-508



CAE data

EPLAN Data Portal 788-508	
WSCAD Universe 788-508	
ZUKEN Portal 788-508	

1 Compatible products

1.1 Optional accessories

1.1.1 Basic relay

1.1.1.1 Basic relay



Item no.: 788-178

Basic relay; Nominal input voltage: 230 VAC; 1 changeover contact; Limiting continuous current: 16 A; Module width: 13 mm; Module height: 15 mm

1.1.2 Ferrule

1.1.2.1 Ferrule



Item no.: 216-241

Ferrule; Sleeve for 0.5 mm² / 20 AWG; insulated; electro-tin plated; electrolytic copper; gastight crimped; acc. to DIN 46228, Part 4/09.90; white



Item no.: 216-242

Ferrule; Sleeve for 0.75 mm² / 18 AWG; insulated; electro-tin plated; electrolytic copper; gastight crimped; acc. to DIN 46228, Part 4/09.90; gray



Item no.: 216-243

Ferrule; Sleeve for 1 mm² / AWG 18; insulated; electro-tin plated; electrolytic copper; gastight crimped; acc. to DIN 46228, Part 4/09.90; red



Item no.: 216-244

Ferrule; Sleeve for 1.5 mm² / AWG 16; insulated; electro-tin plated; electrolytic copper; gastight crimped; acc. to DIN 46228, Part 4/09.90; black

Item no.: 216-542

Twin ferrule; Sleeve for 2 x 1 mm² / AWG 2 x 18; red, insulated; 12 mm long; red

1.1.3 Filter module

1.1.3.1 Suppressor module



Item no.: 788-148

Filter module; RC filter element; Nominal voltage: 230 VAC

1.1.4 Indicators

1.1.4.1 Status indication

Item no.: 788-125

Accessories for relay modules; Operation status indicator: red

1.1.5 Jumper

1.1.5.1 Jumper



Item no.: 788-118

Jumper; for jumper slot; 2-way; from 1 to 3; insulated; light gray



Item no.: 788-113

Jumper; for jumper slot; 2-way; insulated; light gray



Item no.: 859-402

Jumper; for jumper slot; 2-way; insulated; light gray



Item no.: 788-114

Jumper; for jumper slot; 3-way; insulated; light gray



Item no.: 788-115

Jumper; for jumper slot; 4-way; insulated; light gray



Item no.: 788-116

Jumper; for jumper slot; 6-way; insulated; light gray



Item no.: 788-117

Jumper; for jumper slot; 8-way; insulated; light gray



Item no.: 249-105

Group marker carrier; gray



Item no.: 209-145

Group marker carrier; white

1.1.6.1 Double marker carrier



1.1.6.3 Marker



Item no.: 209-183

Marker card; white



Item no.: 793-502

WMB marking card; as card; MARKED; 1 ... 10 (10x); not stretchable; Horizontal marking; snap-on type; white



Item no.: 793-503

WMB marking card; as card; MARKED; 11 ... 20 (10x); not stretchable; Horizontal marking; snap-on type; white



Item no.: 793-504

WMB marking card; as card; MARKED; 21 ... 30 (10x); not stretchable; Horizontal marking; snap-on type; white



Item no.: 793-505

WMB marking card; as card; MARKED; 31 ... 40 (10x); not stretchable; Horizontal marking; snap-on type; white



Item no.: 793-501

WMB marking card; as card; not stretchable; plain; snap-on type; white



Item no.: 2009-115

WMB-Inline; for Smart Printer; 1500 pieces on roll; stretchable 5 - 5.2 mm; plain; snap-on type; white

1.1.6.4 Marking devices



Item no.: 210-110

Fiber-tip pen

1.1.6.5 Marking strip



Item no.: 2009-110

Marking strips; for Smart Printer; on reel; not stretchable; plain; snap-on type; white

1.1.6.6 Protective marker cover



Item no.: 209-184

Protection cover; transparent

1.1.7 Tool

1.1.7.1 Operating tool

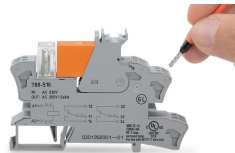


Item no.: 210-720

Operating tool; Blade: 3.5 x 0.5 mm; with a partially insulated shaft; multicoloured

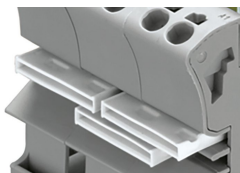
Installation notes

Conductor termination



Conductor termination

Commoning



Easy commoning using adjacent jumpers

Marking



Marking using WMB Multi markers and group marker carriers.