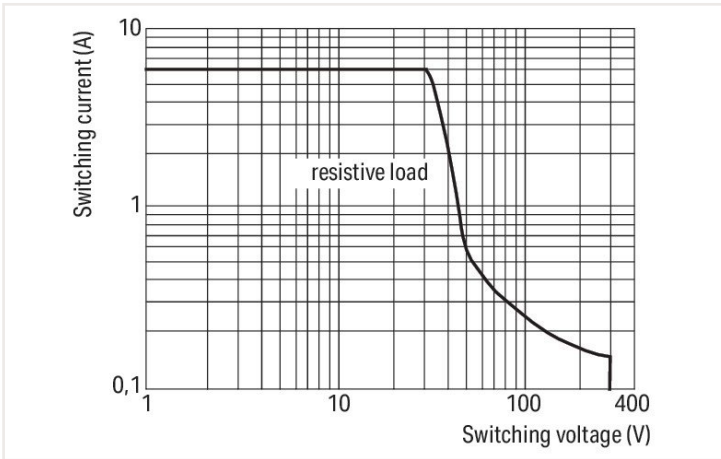
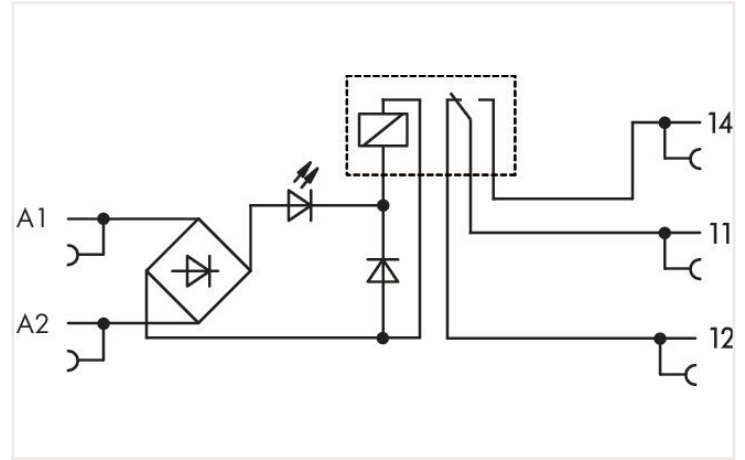
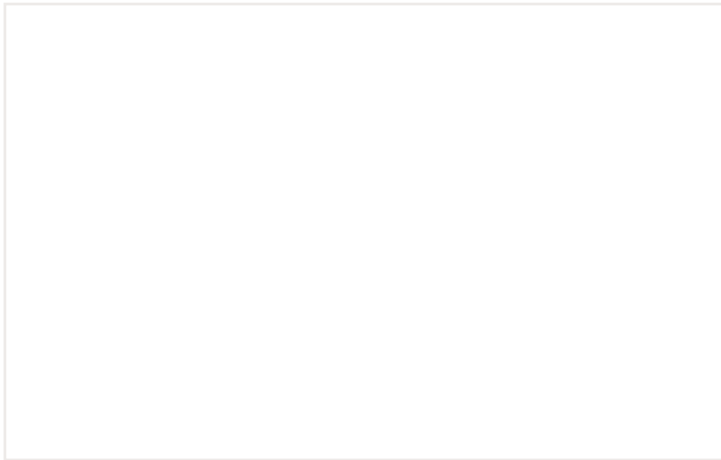


Data sheet | Item number: 857-354

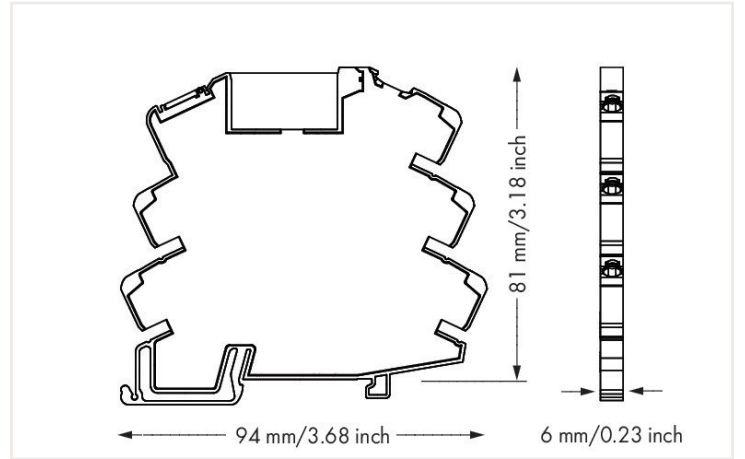
Relay module; Nominal input voltage: 24 V AC/DC; 1 changeover contact; Limiting continuous current: 6 A; Yellow status indicator; Module width: 6 mm



<https://www.wago.com/857-354>



DC load limit curve



Dimensions in mm

Notes

Safety information 1 Adjacent devices are devices of the same design (series) that are arranged next to each other with the same orientation on the mounting rail. An end stop (249-116) must be fitted to devices of other types for compliance with the reinforced insulation requirements.

Note To protect the relay coils and contacts, inductive loads must be dampened with an effective protection circuit.

Technical data

Control circuit	
Nominal input voltage U_N	AC/DC 24 V
Input voltage range	-15 ... +20 %
Nominal input current at U_N	8.5 mA
Nominal frequency range (input voltage)	50 ... 60 HzAC / 0 HzDC

Load circuit	
Number of changeover/switchover contacts	1
Contact material (relay)	AgSnO ₂
Limiting continuous current	6 A
Inrush current (resistive) max.	(AC) 20 A / 0.02 s
Switching voltage (max.)	AC 250 V
Switching power (resistive) max.	AC 1500 VA; DC (see load limit curve)
Switching capacity	AC-15: 3 A / AC 250 V; DC-13: 2 A / DC 24 V
Recommended minimum load	10 V / 10 mA; 24 V / 1 mA
Pull-in time (typ.)	15 ms
Drop-out time (typ.)	25 ms

Load circuit

Bounce time (typ.)	3.5 ms
Electrical life (NO; resistive load; 23 °C)	50 x 10 ³ switching operations
Mechanical life	5 x 10 ⁶ switching operations
Switching frequency with/without load (max.)	6 min ⁻¹ / 180 min ⁻¹

Signaling

Status indicator	Yellow LED
------------------	------------

Safety and protection

Rated voltage	300 V
Rated surge voltage	4 kV
Type of circuits	Mains circuits
Overvoltage category	III
Pollution degree	2
Dielectric strength (control/load circuit) (AC, 1 min)	3.51 kVrms
Dielectric strength (open contact) (AC, 1 min)	1 kVrms
Insulation type (control/load circuit)	Reinforced insulation (safe isolation)
Insulation type (between adjacent devices of the same type)	Double insulation (safe isolation)
Insulation type (to adjacent devices of different types)	Basic insulation
Safety information 1	Adjacent devices are devices of the same design (series) that are arranged next to each other with the same orientation on the mounting rail. An end stop (249-116) must be fitted to devices of other types for compliance with the reinforced insulation requirements.
Protection type	IP20

Connection data

Connection technology	Push-in CAGE CLAMP®
Solid conductor	0.34 ... 2.5 mm ² / 22 ... 14 AWG
Fine-stranded conductor	0.34 ... 2.5 mm ² / 22 ... 14 AWG
Fine-stranded conductor; with insulated ferrule	0.34 ... 1.5 mm ² / 22 ... 16 AWG
Strip length	9 ... 10 mm / 0.35 ... 0.39 inches

Physical data

Width	6 mm / 0.236 inches
Height	94 mm / 3.701 inches
Depth from upper-edge of DIN-rail	81 mm / 3.189 inches

Mechanical data

Mounting type	DIN-35 rail
Mounting position	horizontal (standing/lying); vertical

Material data

Fire load	0.492 MJ
Weight	30.9 g

Environmental requirements

Ambient temperature (operation at U_N)	-40 ... 60 °C
Surrounding air temperature (storage)	-40 ... +70 °C
Processing temperature	-25 ... +50 °C
Temperature range of connection cable	$\geq (T_{\text{ambient}} + 30 \text{ K})$
Relative humidity	5 ... 85 % (no condensation permissible)
Operating altitude (max.)	2000 m

Standards and specifications

Standards/specifications	EN 61010-2-201 EN 61810-1 EN 61373 UL 508 ATEX IEC Ex
--------------------------	--

Basic relay

WAGO Basic Relay	857-152
------------------	---------

Commercial data

Product Group	6 (Interface Electronics)
eCl@ss 10.0	27-37-16-01
eCl@ss 9.0	27-37-16-01
ETIM 8.0	EC001437
ETIM 7.0	EC001437
PU (SPU)	25 (1) Stück
Packaging type	Box
Country of origin	CN
GTIN	4055143122061
Customs tariff number	85364900990

Approvals and certificates

General approvals



Approval	Standard	Certificate name
UL UL International Netherlands B.V. (ORDINARY LOCATIONS)	UL 508	E175199 Sec.4

Approvals for hazardous areas



Approval	Standard	Certificate name
ATEX DEKRA EXAM GmbH	EN 60079-0	BVS_14_ATEX_E_091_X (II 3G Ex ec nC IIC T4 Gc; II 3G Ex ec IIC T4 Gc)
CCC CNEX	CNCA-C23-01	2020312304000757 (Ex ec nC IIC T4 Gc)
IECEx DEKRA EXAM GmbH	IEC 60079-0	IECEx_BVS_14.0079_X (Ex ec nC IIC T4 Gc; Ex ec IIC T4 Gc)
UL Underwriters Laboratories Inc. (HAZARDOUS LOCATIONS)	UL 121201	E198726

Downloads

Environmental Product Compliance

Compliance Search

Environmental Product Compliance 857-354



Documentation

Bid Text

857-354	19.02.2019	xml 4.71 KB	
857-354	20.02.2019	docx 16.45 KB	

CAD/CAE-Data

CAD data	CAE data
2D/3D Models 857-354	EPLAN Data Portal 857-354
	WSCAD Universe 857-354
	ZUKEN Portal 857-354

1 Compatible products

1.1 Optional accessories

1.1.1 Basic relay

1.1.1.1 Basic relay

[Item no.: 857-152](#)

Basic relay; Nominal input voltage: 24 VDC; 1 changeover contact; Limiting continuous current: 6 A; Module width: 5 mm; Module height: 15 mm

1.1.2 Ferrule

1.1.2.1 Ferrule



[Item no.: 216-241](#)

Ferrule; Sleeve for 0.5 mm² / 20 AWG; insulated; electro-tin plated; electrolytic copper; gastight crimped; acc. to DIN 46228, Part 4/09.90; white



[Item no.: 216-242](#)

Ferrule; Sleeve for 0.75 mm² / 18 AWG; insulated; electro-tin plated; electrolytic copper; gastight crimped; acc. to DIN 46228, Part 4/09.90; gray



[Item no.: 216-243](#)

Ferrule; Sleeve for 1 mm² / AWG 18; insulated; electro-tin plated; electrolytic copper; gastight crimped; acc. to DIN 46228, Part 4/09.90; red



[Item no.: 216-244](#)

Ferrule; Sleeve for 1.5 mm² / AWG 16; insulated; electro-tin plated; electrolytic copper; gastight crimped; acc. to DIN 46228, Part 4/09.90; black

1.1.3 Interface module

1.1.3.1 Interface adapters



Item no.: 857-981

Interface adapter; 14-pole; High-side switching input



Item no.: 857-982

Interface adapter; 14-pole; High-side switching output



Item no.: 857-986

Interface adapter; 15-pole; High-side switching input

1.1.4 Jumper

1.1.4.1 Jumper



Item no.: 281-482

Jumper; 2-way; insulated; gray



Item no.: 859-410/000-006

Jumper; for jumper slot; 10-way; insulated; blue



Item no.: 859-410

Jumper; for jumper slot; 10-way; insulated; light gray



Item no.: 859-410/000-005

Jumper; for jumper slot; 10-way; insulated; red



Item no.: 859-410/000-029

Jumper; for jumper slot; 10-way; insulated; yellow



Item no.: 859-402/000-006

Jumper; for jumper slot; 2-way; insulated; blue



Item no.: 859-402

Jumper; for jumper slot; 2-way; insulated; light gray



Item no.: 859-402/000-005

Jumper; for jumper slot; 2-way; insulated; red



Item no.: 859-402/000-029

Jumper; for jumper slot; 2-way; insulated; yellow



Item no.: 859-403/000-006

Jumper; for jumper slot; 3-way; insulated; blue



Item no.: 859-403

Jumper; for jumper slot; 3-way; insulated; light gray



Item no.: 859-403/000-005

Jumper; for jumper slot; 3-way; insulated; red



Item no.: 859-403/000-029

Jumper; for jumper slot; 3-way; insulated; yellow



Item no.: 859-404/000-006

Jumper; for jumper slot; 4-way; insulated; blue



Item no.: 859-404

Jumper; for jumper slot; 4-way; insulated; light gray



Item no.: 859-404/000-005

Jumper; for jumper slot; 4-way; insulated; red



Item no.: 859-404/000-029

Jumper; for jumper slot; 4-way; insulated; yellow



Item no.: 859-405/000-006

Jumper; for jumper slot; 5-way; insulated; blue



Item no.: 859-405

Jumper; for jumper slot; 5-way; insulated; light gray



Item no.: 859-405/000-005

Jumper; for jumper slot; 5-way; insulated; red



Item no.: 859-405/000-029

Jumper; for jumper slot; 5-way; insulated; yellow



Item no.: 859-406/000-006

Jumper; for jumper slot; 6-way; insulated; blue



Item no.: 859-406

Jumper; for jumper slot; 6-way; insulated; light gray



Item no.: 859-406/000-005

Jumper; for jumper slot; 6-way; insulated; red



Item no.: 859-406/000-029

Jumper; for jumper slot; 6-way; insulated; signal yellow



Item no.: 859-407/000-006

Jumper; for jumper slot; 7-way; insulated; blue



Item no.: 859-407

Jumper; for jumper slot; 7-way; insulated; light gray



Item no.: 859-407/000-005

Jumper; for jumper slot; 7-way; insulated; red



Item no.: 859-407/000-029

Jumper; for jumper slot; 7-way; insulated; yellow



Item no.: 859-408/000-006

Jumper; for jumper slot; 8-way; insulated; blue



Item no.: 859-408

Jumper; for jumper slot; 8-way; insulated; light gray



Item no.: 859-408/000-005

Jumper; for jumper slot; 8-way; insulated; red



Item no.: 859-408/000-029

Jumper; for jumper slot; 8-way; insulated; yellow



Item no.: 859-409/000-006

Jumper; for jumper slot; 9-way; insulated; blue



Item no.: 859-409

Jumper; for jumper slot; 9-way; insulated; light gray



Item no.: 859-409/000-005

Jumper; for jumper slot; 9-way; insulated; red



Item no.: 859-409/000-029

Jumper; for jumper slot; 9-way; insulated; yellow

1.1.5 Marking

1.1.5.1 Double marker carrier



Item no.: 209-128

Adaptor; gray

1.1.5.2 Group marker carrier



Item no.: 249-105

Group marker carrier; gray

1.1.5.3 Marker



Item no.: 209-183

Marker card; white



Item no.: 793-5501

WMB marking card; as card; for terminal block width 5 - 17.5 mm; stretchable 5 - 5.2 mm; plain; snap-on type; white



Item no.: 793-502

WMB marking card; as card; MARKED; 1 ... 10 (10x); not stretchable; Horizontal marking; snap-on type; white



Item no.: 793-566

WMB marking card; as card; MARKED; 1 ... 50 (2x); not stretchable; Horizontal marking; snap-on type; white



Item no.: 793-503

WMB marking card; as card; MARKED; 11 ... 20 (10x); not stretchable; Horizontal marking; snap-on type; white



Item no.: 793-504

WMB marking card; as card; MARKED; 21 ... 30 (10x); not stretchable; Horizontal marking; snap-on type; white



Item no.: 793-505

WMB marking card; as card; MARKED; 31 ... 40 (10x); not stretchable; Horizontal marking; snap-on type; white



Item no.: 793-506

WMB marking card; as card; MARKED; 41 ... 50 (10x); not stretchable; Horizontal marking; snap-on type; white



Item no.: 793-501

WMB marking card; as card; not stretchable; plain; snap-on type; white



Item no.: 2009-115

WMB-Inline; for Smart Printer; 1500 pieces on roll; stretchable 5 - 5.2 mm; plain; snap-on type; white

1.1.5.4 Marking devices



Item no.: 210-110

Fiber-tip pen

1.1.5.5 Marking strip



Item no.: 2009-110

Marking strips; for Smart Printer; on reel; not stretchable; plain; snap-on type; white

1.1.5.6 Protective marker cover



Item no.: 209-184

Protection cover; transparent

1.1.6 Tool

1.1.6.1 Operating tool



Item no.: 210-720

Operating tool; Blade: 3.5 x 0.5 mm; with a partially insulated shaft; multicoloured

Installation notes

Conductor termination

Conductor termination

Commoning

Easy commoning using adjacent jumpers

Marking

Marking via WMB Multi Marking System.

Installation

Removing a relay via ejector.